

Draw advanced inspection closer within your reach

A new camera with advanced image processing functions



The functionality and speed that your production site demands packed in an all-in-one device

The FHV7 Smart Camera is an all-in-one camera with the functionalities of the high-spec vision system FH Series packed in its compact, robust body that is easy to deploy. It provides almost all inspection and measurement functions of the FH Series, and allows for easier image inspections of matching quality, even in processes where inspection had previously been omitted due to restrictions in durability, space, and system deployment time.

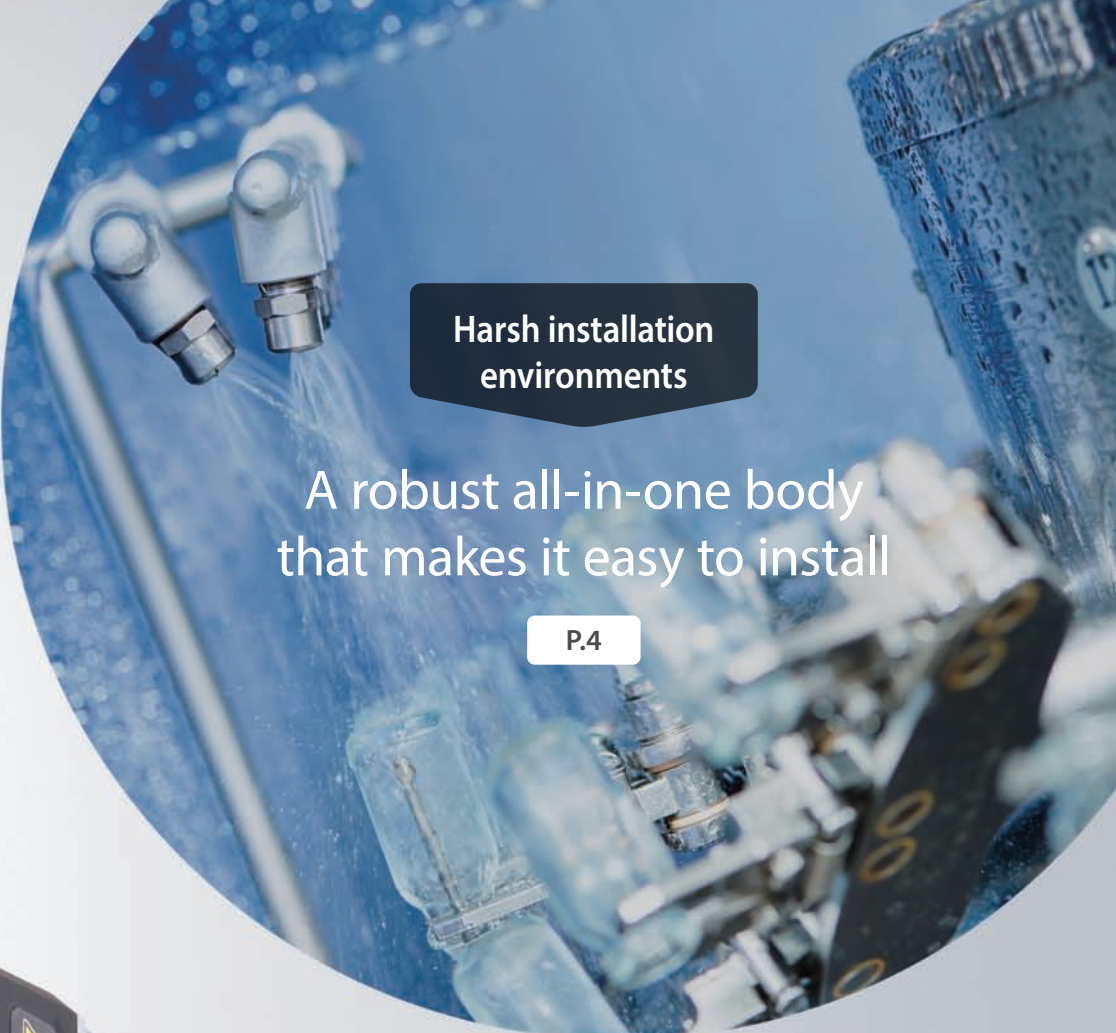
Integrated controller structure
Smart camera
FHV7 Series



Difficulties in processing product variation

Flexibly accommodates object changes


P.6



Harsh installation environments

A robust all-in-one body that makes it easy to install

P.4



Urgent need to improve manufacturing quality

Excellent productivity performance

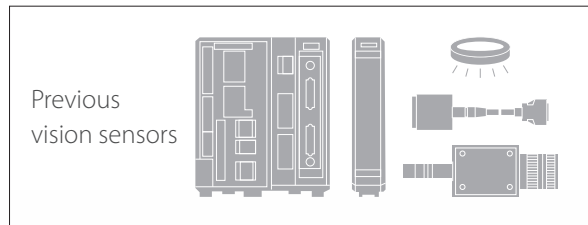
P.8

A robust all-in-one body that makes it easy to install

Installable anywhere

Integrated camera/controller structure

Integrates everything you need for image processing. All-in-one structure includes not only the controller but the lens and lights as well, allowing you to easily attach it wherever you want additional inspections or measurements, without having to worry about control panel space.



Easy-to-replace modular structure

Lens and lights are available as modules. Easily replaceable in the event of any mechanical failures or inspection specification changes.

Robust structure

IP67 waterproof structure

IP67 compatible to allow use in wet conditions, such as regular wash-downs at the sites where the cameras are installed.



Captive screws

Replaceable modules use captive screws, to prevent problems caused by the screws falling into the production line, etc.



Replaceable covers

The light cover and optical filter are easy to remove and replace, so you don't need a protective cover, etc., against dirt.



Dirty cover filters can be removed separately for replacement

High scalability

External lights supported

The FLV and FL Series have a broad lineup of more than 150 models, and they can easily be attached as external lights to FHV7 Smart Cameras. By connecting the lighting controller, you can, from FHV7's setting window, easily adjust the light emission intensity and set light emissions to synchronize with the release of the shutter.



Flexibly accommodates object changes



Multi-color Light

Accommodates color variations

Multi-color light provides a quick solution to the issue of measuring different colors. For example, objects with variously colored packages on a production line are properly measured with the light that changes its illumination color to fit each object. When the product design is changed or a new model is added, you can simply change a parameter instead of replacing or fine-tuning lights. The production line is always ready for a wider variety of product.



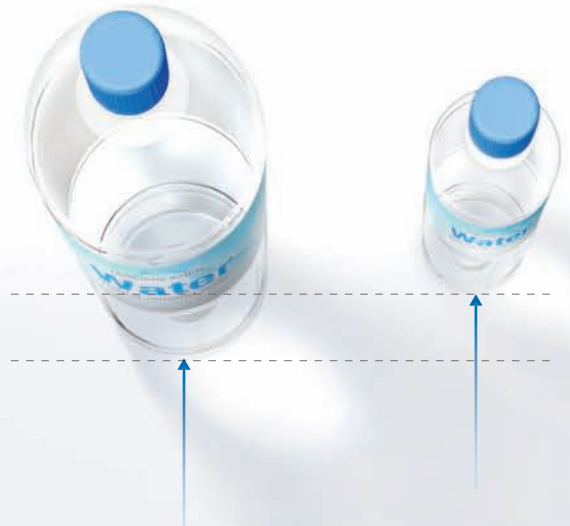
Autofocus Lens

Accommodates size variations

The autofocus lens covers a focal length range from 59 mm to 2,000 mm^{*1}. Even when products in different sizes are produced, the focus range can be changed easily by parameters.^{*2} This feature eliminates mechanical operation for changeover during product replacement, leading to a simpler system with higher productivity.

*1. Differs depending on the lens type. See the optical chart on page 52 for details.

*2. Set focuses for different product heights in advance and switch between them when you perform a changeover.



Best-in-class resolution^{*3}: 12 megapixels

Location variation

The image sensor with a 12 megapixels enables high-precision inspections for wider areas. This eliminates the need for installing multiple cameras or a mechanism to move a camera to capture different inspection points on different models on the same production line.

*3. Based on Omron investigation in October 2018.

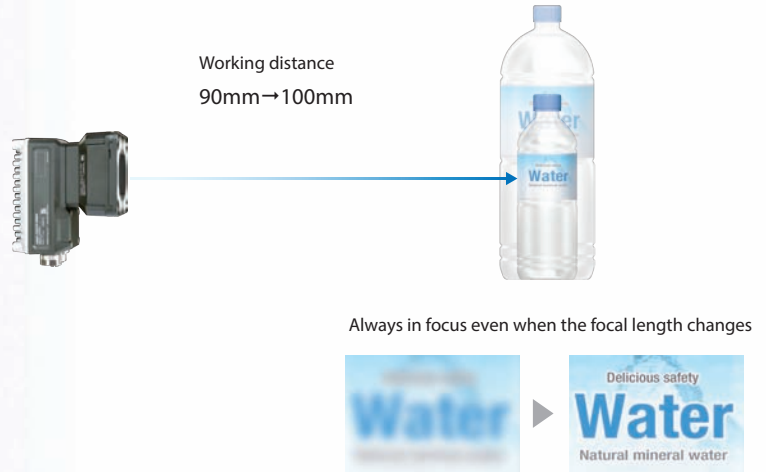
When inspecting products of different colors

As a product has more color options, some of the colors may cause low contrast under a single color illumination. The multi-color illumination allows switching colors for different product color options, ensuring stable inspections.



When inspecting products of different sizes

When inspecting products such as plastic bottles that come in different sizes, you can perform a changeover only by switching the setting of the autofocus lens. The autofocus lens does not need the mechanism for moving the camera.



Expanding the range of parts inspection

Accurate and extensive inspection of parts mounting points on different automobile models is enabled without moving cameras.



Excellent productivity performance

Best-in-class speed*¹

Image capture
Maximum speed 2.3 ms

×

Distributed processing
across 2 cores

×

High-speed algorithm



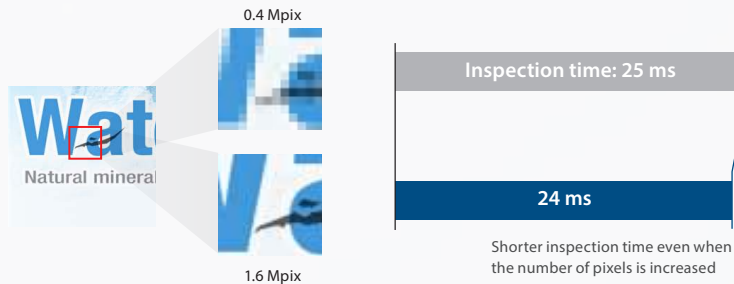
High-speed processing

The all-in-one FHV7 Smart Camera is packed with capabilities garnered through the FH Series. Its high performance, comparable to a dedicated image processing system, supports advanced applications as well.



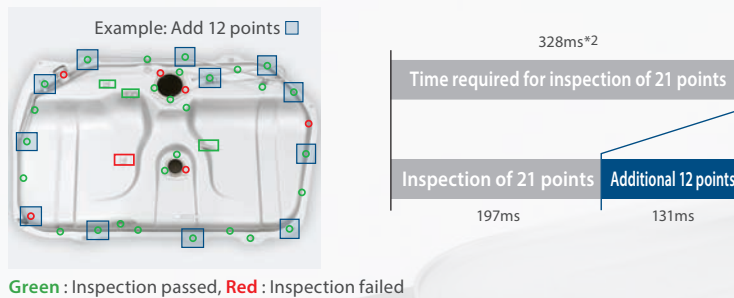
Clear images facilitate inspection

The FHV7 Smart Camera can measure 1.6 megapixels in 24 ms. It can perform high-resolution inspections without compromising speed capabilities, and can be used in places where image processing systems are currently deployed.



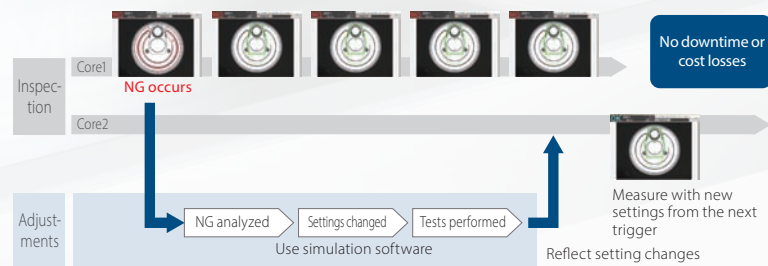
More inspection points

FHV7's high processing performance enables you to easily conduct inspections equivalent to an image processing system. It is optimal for multipoint inspections that would significantly compromise speed when conducted with traditional smart cameras.



Settings can be adjusted with zero downtime

Measured values may change gradually due to workpiece variation or changes in external circumstance. Even in such cases, distributed processing across 2 cores allows you to perform cause analysis and setting adjustments as you make measurements. You can eliminate downtime and visual inspection of uninspected items.



*1. Based on Omron investigation in October 2018.

*2. Sample comparison to inspection time using vision sensors installed in customer's machine. Based on Omron investigation in October 2018

Application Examples

Traceability and serial number management

The FHV7 Smart Camera is suitable for applications in which inspection results and images are managed by product serial numbers.

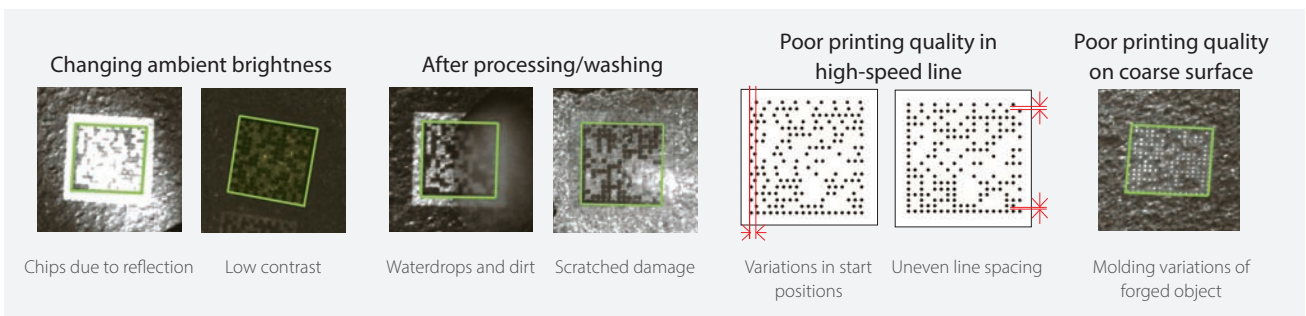
Stable reading regardless of printing quality

2D Code II delivers powerful code reading

The dedicated algorithm for stable 2D code reading under adverse conditions is implemented. Data based on the print quality specifications can be output, which contributes to stable printing.

Print Quality Grading Function

- ISO/IEC 15415
- ISO/IEC TR29158



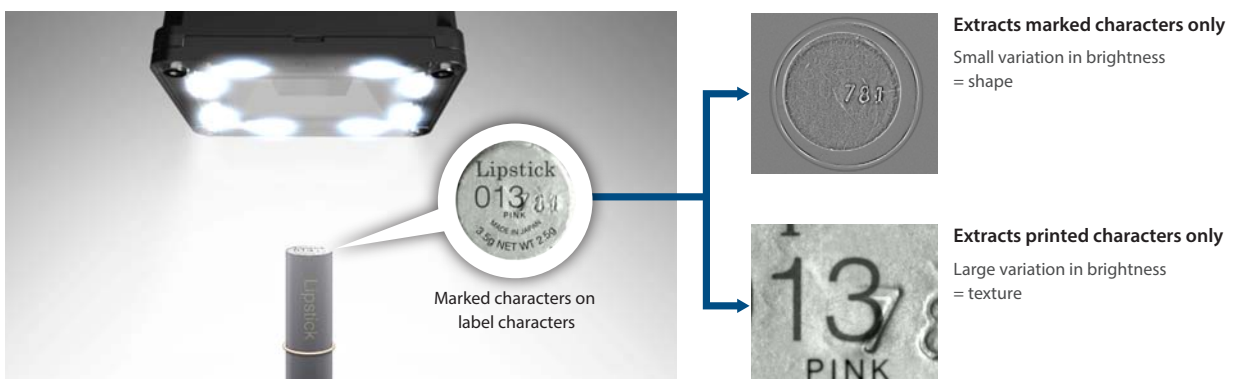
Stable reading of difficult-to-read characters (OCR)

Printed characters can be too close to each other, and characters can be printed on curved surfaces. Even in these cases, stable reading is possible. Also plus signs can be read.



Photometric stereo light extracts marked characters NEW

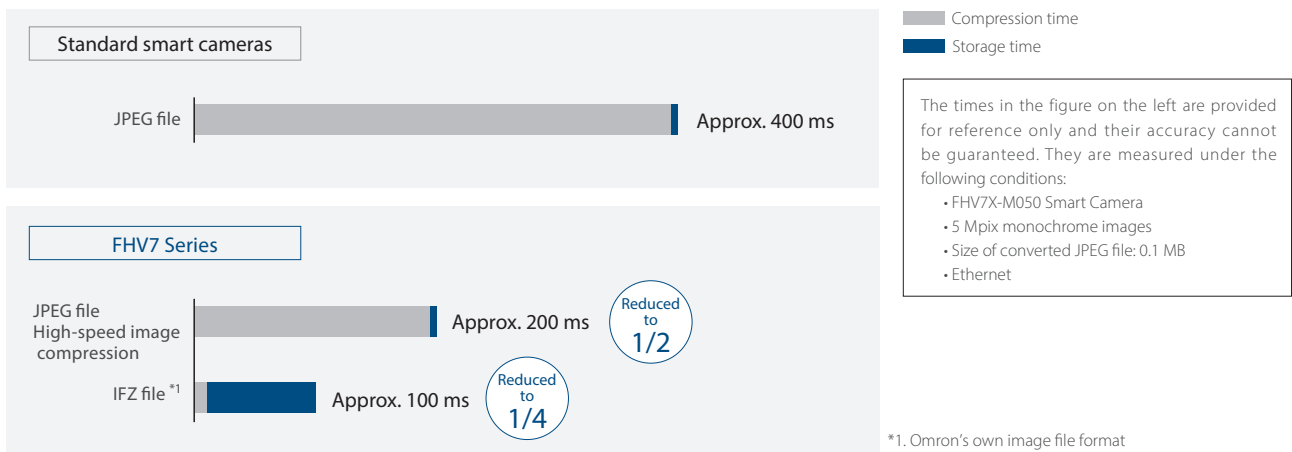
Our unique lighting algorithm separates an image into shapes and textures. Marked characters can be reliably read from the image containing only shapes which are separated from printed characters and patterns. This function is available when the FHV-LTM-W/R/IR Lighting Module (single color) or FL-PS Photometric Stereo Light is connected.



Evidence management

High-speed image storage and image compression

Image data is so large that conventional controllers could not store all images due to limited storage time and storage capacity. The FHV7 Smart Camera has algorithms and hardware that can save images in Omron formats and compress image data at high speed, enabling all images to be stored to meet increasing needs in quality control.

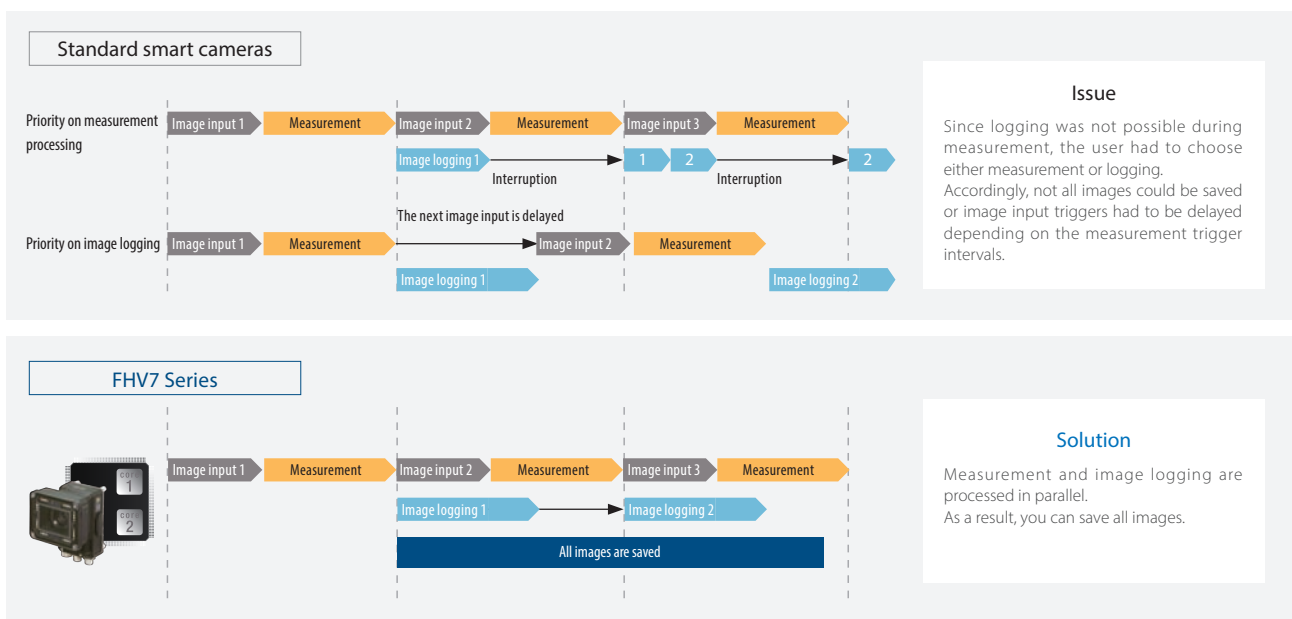


Images are saved even during measurements

Distributed processing across 2 cores allows the CPU to perform parallel processing of measurements and image logging. With connection to a high-speed, large-capacity NAS, all images on the high-speed line can be saved, which was previously difficult. *2
Trend analysis of all saved images quickly isolates errors and facilitates countermeasures.

*2. All images can be saved under the following conditions:

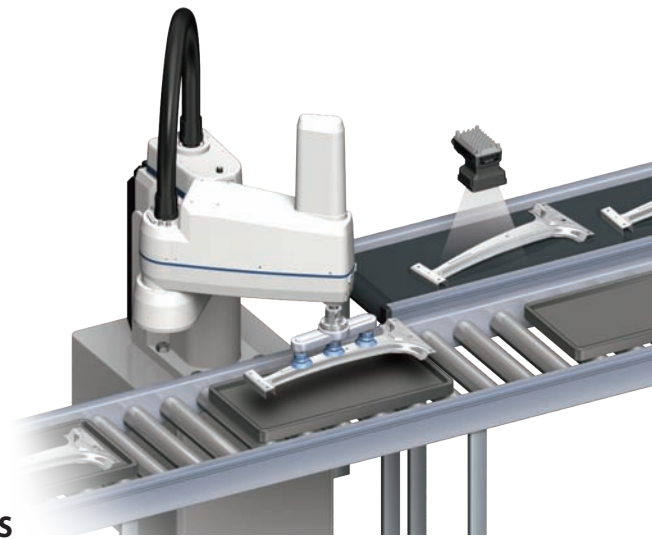
- One 0.4 Mpix camera
- Measurement time of 30 ms
- JPEG file
- Images can be saved continuously for approx. 380 days when a 3 TB NAS is used (based on 8 hours of operation a day)



Application Examples

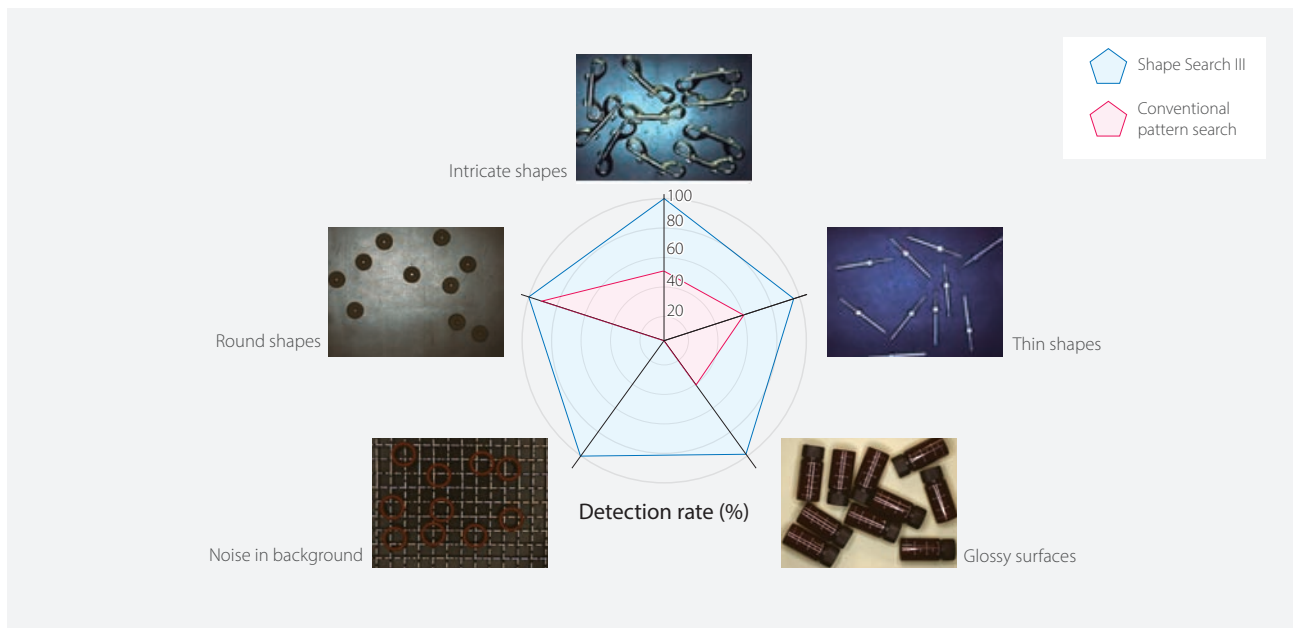
Pick and place

The FHV7 Smart Camera can be combined with robots for picking and assembling applications.



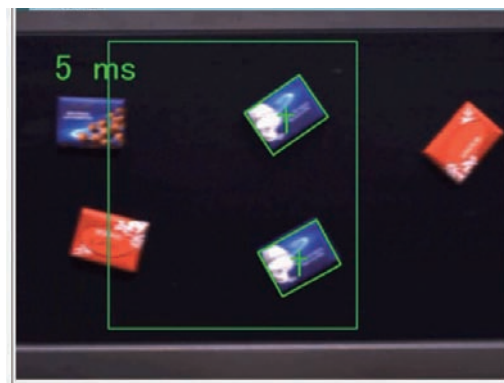
Shape Search III stably detects all types of objects

Stable position detection is performed regardless of shape, material, or background.



Sorting mixed models

Different types of the searched objects can be sorted.



Think & See, the core technology of Shape Search III



"Think & See" is Omron's powerful core technology for image sensing. Omron is continuously developing technologies to measure, detect, or identify the positions, orientations, shapes, materials, colors, status, or attributes of things, people, vehicles, or other objects faster, more precisely, and more easily than the human eye under various conditions.

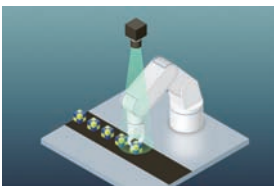


See the details of Think & See.

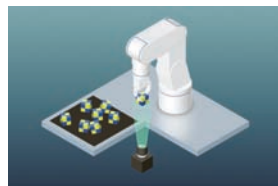
<https://www.fa.omron.co.jp/tse>

Easy output to major robot manufacturers' devices

The dialog boxes for the FHV7 Smart Camera and the programs for various vendors' robots greatly reduce the set-up time for robot applications. Refer to the system configuration diagram (P. 22) for connection details.



Pick



Offset compensation



Place

3-step easy setting

Verified robot communication programs and flowcharts required for robot applications are provided. You don't need to design communications and create a flowchart to set up a robot application.

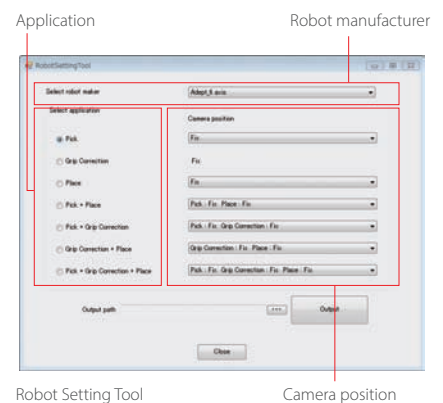
STEP 1

Obtain robot program and flowchart

Just a few clicks in Robot Setting Tool

Select 3 items to obtain the communication program and flowchart you need.

You can download the Robot Setting Tool from the following URL:
<http://www.ia.omron.com/fhv>

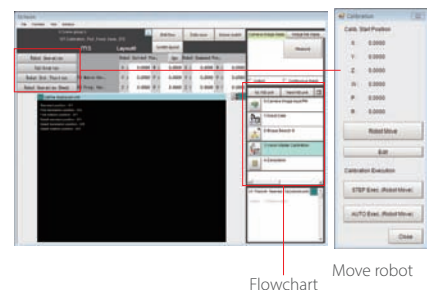


STEP 2

Calibrate

Move robot for calibration from the FHV7 Series

The obtained flowchart can be used to move the robot for calibration from the FHV7 Smart Camera. There is no need to create a program for robot calibration.

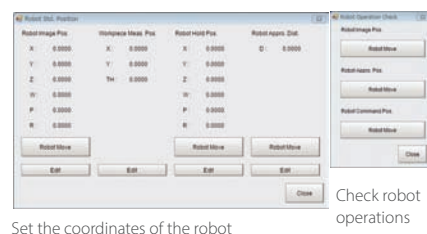


STEP 3

Check operations

Set up and check application from the FHV7 Series

Set the coordinates of the robot and check robot operations using the dialog boxes.



Application Examples

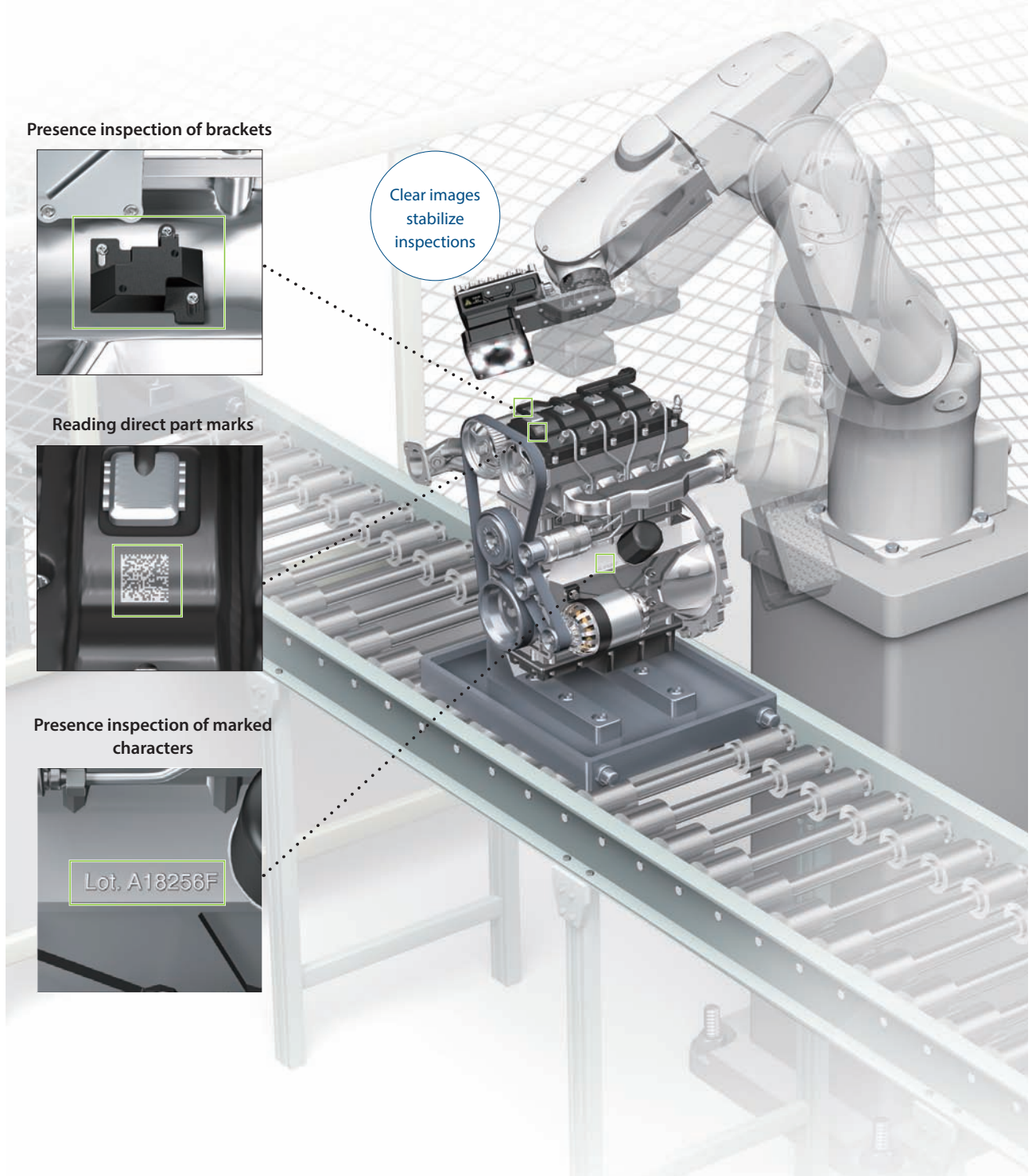
Flexible multipoint inspection using robots

The FHV7 Smart Camera can be installed on robot arms to inspect objects from multiple directions.

Vision inspection suited to each location

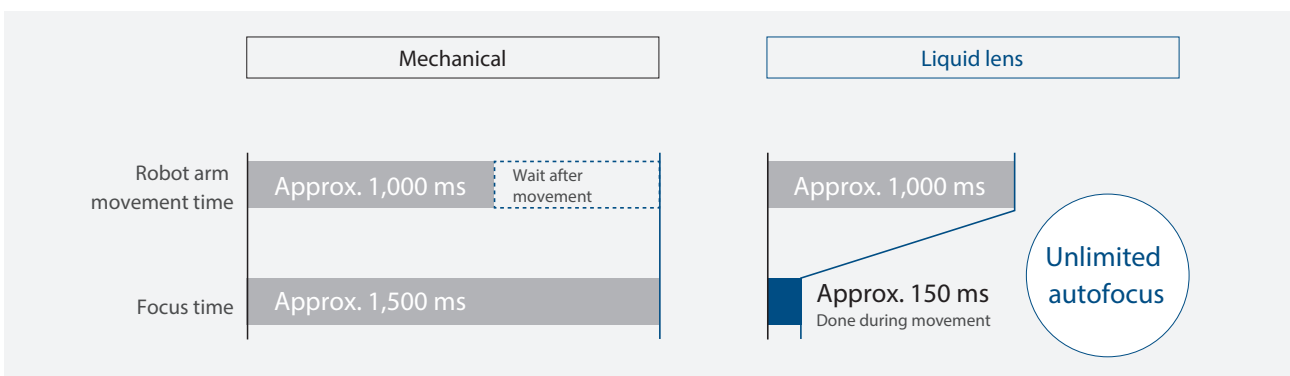
The FHV7 Smart Camera, which is moved to each inspection point, adjusts field of view, precision, and focus to match the location.

External inspection by the human eye can be replaced with automated inspection using robots.



Ultra-high-speed, long-life lens module **PATENT PENDING** *1

New high-speed lens modules using a liquid lens have been added to the lineup. Advanced control of the liquid lens enables the lens to focus about 10 times faster than a mechanical focus lens, allowing settings to be changed during movement of the robot arm.*2 General mechanical focus mechanisms break due to deterioration of the drive mechanism or motor when they perform autofocus tens of thousands of times. The liquid lens provides unlimited autofocus and long life.



Note: The above times are when the focus value is changed from minimum to maximum. These times are provided for reference only and are not guaranteed.

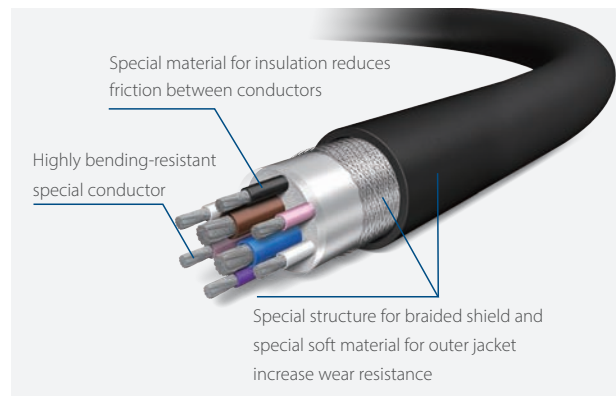
*1. "Patent pending" means that we applied for a patent in Japan, and "Patented" means that we obtained a patent in Japan. (As of April 2019)

*2. Set focuses for different product heights in advance and switch between them.

Much less maintenance

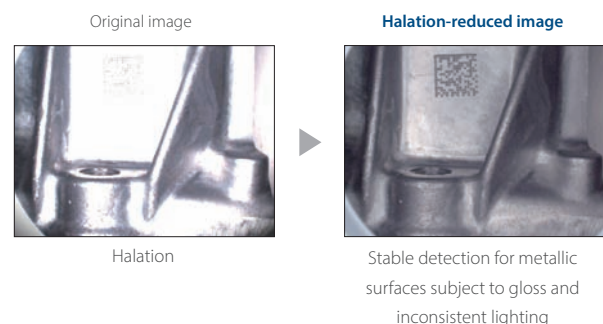
Super-flexible cable

The new cable offers approximately 10 times the bending resistance of conventional FHV7 flexible cables. High bending resistance significantly reduces the frequency of replacing the cables on robot arms.



Reduces halation from metallic or glossy surfaces

The High Dynamic Range (HDR) function minimizes the influence of changes in lighting conditions and light reflection. This enables stable inspections even for materials that are difficult to light evenly, such as metal parts or glossy films, or in locations subject to external light interference.



Filtering to emphasize difficult-to-find defects

Image input & filtering

18
processing
items

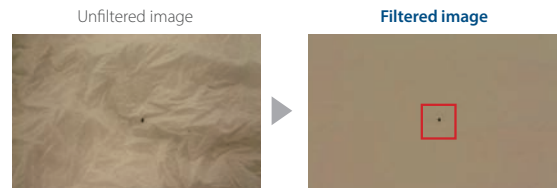
Stripe Removal Filter II

The striped pattern is filtered out so that only required aspects are shown clearly. Vertical, horizontal, and diagonal stripes can be removed.



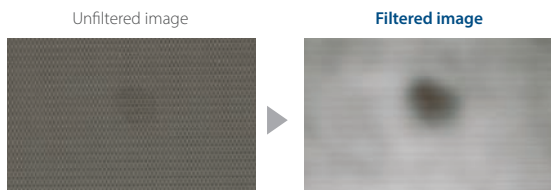
Anti Color Shading **PATENTED** *

Specific shades that hide defects are removed so that tiny scratches and dirt can be precisely detected. This advanced filtering was achieved through the Real Color Sensing technology.



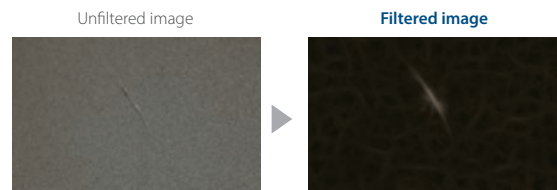
Even Emphasis Unevenness

This filter removes background pattern and enhances low-contrast unevenness.



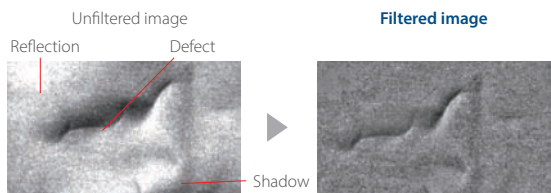
Emphasis Line Defect/Emphasis Circle Defect

These filters enhance defects in high background noise or scratches on embossed surfaces.



Brightness Correct Filter

This filter cuts out uneven lighting and changes in brightness caused by workpiece surface irregularities to make characteristic features stand out clearly.

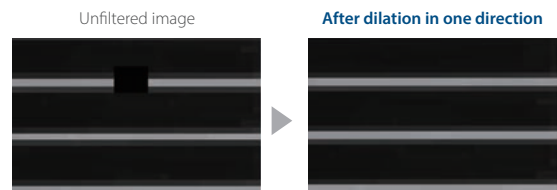


The wavy inconsistencies are judged as defects.

Uneven areas are removed so that only the defect appears in the inspection.


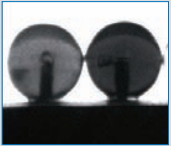

Custom Filter

You can set the mask coefficients as required for these filters. The mask size can be up to 21 x 21. You can flexibly set smoothing, edge extraction, dilation, and erosion for the image.



Real Color Sensing **PATENTED** *

Real-color processing is an image processing technology that performs high-speed processing of full-color images with a total of 16.7 million colors (256 tones per RGB channel). This means that image processing can be performed with the same color information that is visible to the human eye, and stable measurements can be performed under lighting that closely resembles natural light.

Real Color Sensing	Color image processing	Color segmentation processing
 <p>Color variations between 16.7 million different colors can be captured without any color loss.</p>	 <p>Dark Bright Dark</p>	 <p>Black White Black</p>
<p>The camera image is processed as-is without any loss of quality. This enables even the slightest of color differences to be captured with high accuracy.</p>	<p>Captured images are converted to a 256-shade monochrome image and processed. This enables more stable inspection compared to binary level processing, but slight changes in color cannot be detected with this method.</p>	<p>Captured images are converted to a black and white two-color image and processed. This reduces the amount of data and enables high-speed processing.</p>

* "Patent pending" means that we applied for a patent in Japan, and "Patented" means that we obtained a patent in Japan. (As of April 2019)

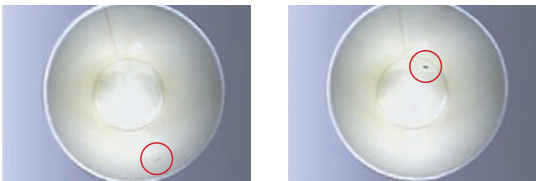
Processing items for various types of inspections

Inspection & measurement **27** processing items

Precise Defect

Detection of dirt on paper cups

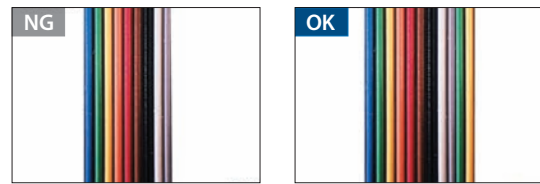
This processing item is used to detect scratches and dirt on paper cups and molded plastics, as well as oil stains on metal surfaces. Real Color Sensing makes it possible to detect dirt in various colors.



Search II 2 times faster and higher detection*

Cable arrangement inspection

Just register a model, and the cable arrangement inspection is completed in one go. Repeating color detection is not necessary.

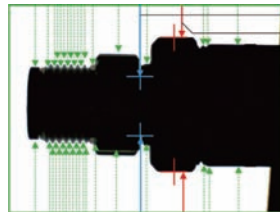


* Compared with Search under our test conditions in April 2019.

Scan Edge Position and Scan Edge Width

Inspection of groove depth of metal shafts

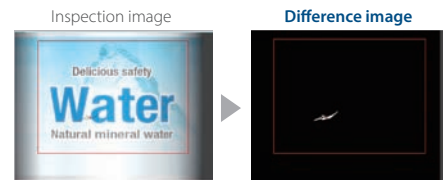
The maximum and minimum widths within the region are measured simultaneously. This processing item is very useful especially for the measurement of groove depths of metal shafts.



Fine Matching

Inspection for label rips

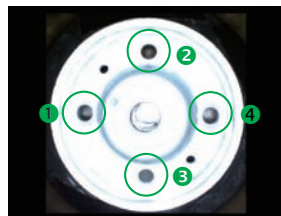
The registered reference image is compared against the input image and tiny differences are detected at high speed. Scratches on the intricate patterns and unexpected dirt in the color are precisely detected.



Labeling

Hole counting

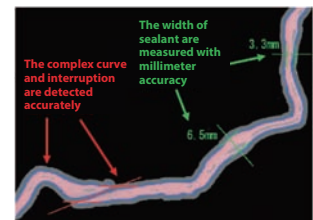
The number of labels with the specified color and size is counted. Also, the area and center of gravity of the specified labels are measured.



Glue Bead Inspection

Path and width inspection

Just define the start and end points of the object to evaluate sealing numerically. This minimizes inconsistencies in inspection. This method enables accurate inspection of complex curves and interruptions.



Character Inspection

Label printing inspection

Characters are recognized by pattern search, and this enables special fonts and non-alphanumeric characters to be inspected. Automatically extracting a model and selecting an index from the list help you easily set up your dictionary. Using the user dictionary, the Character Inspection performs pattern search to recognize characters.

Auto model extraction
(Special fonts can be read)

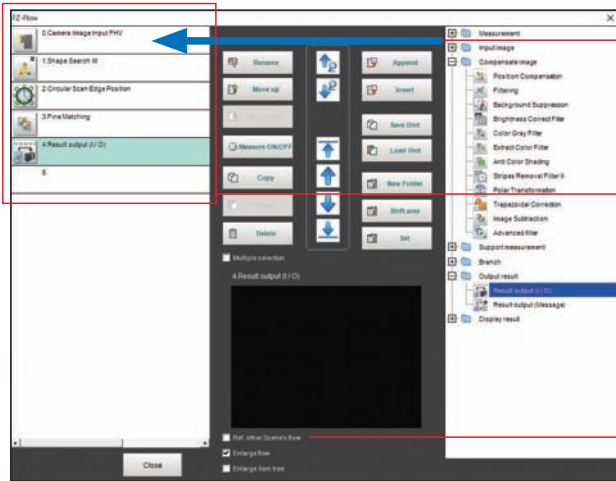


Index selection from list



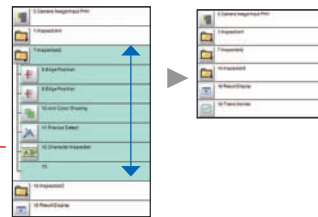
Easy-to-use system with high functionality

Easy measurement flow creation

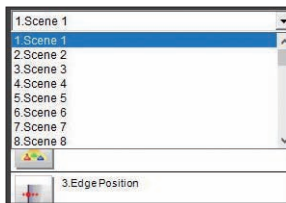


Drag and drop

Just drag and drop pre-installed processing items from the processing item list to the flowchart to build a measurement flow.



Copy & paste processing items from other scenes

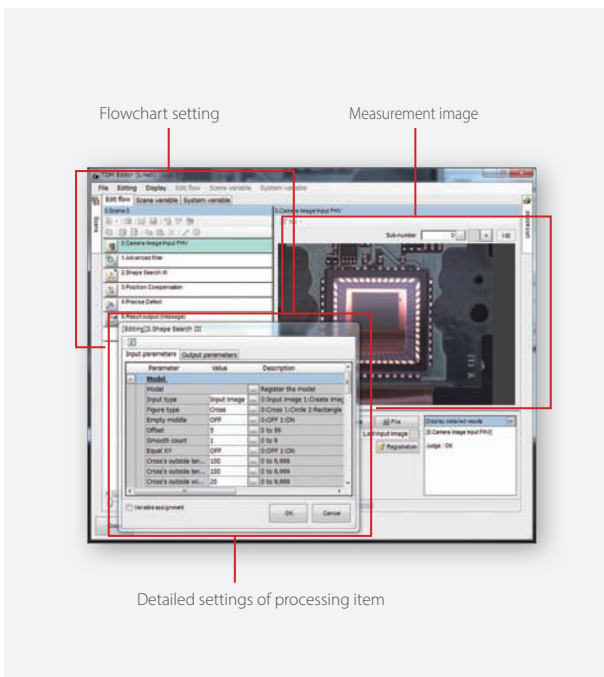


You can set up a new flow menu by combining different processing items copied from other scenes. When reusing the setting of other scenes, you don't need to make adjustments.

Simple setting with menus

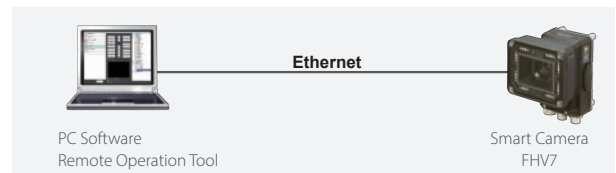
Total Design Management Editor

The design interface allows you to design complex measurement processes while managing variables. This simple GUI manages complicated branching processes and data sharing across measurement scenes and eliminates the need to switch screens.



Setting and operating from a computer

Use a dedicated software to create measurement flows and measurement conditions. The software can also be used for remote monitoring and control via a network. You can download the software for free after purchasing the product and signing up online. For details, see the member registration sheet attached to the FHV7 Smart Camera.



Operation via touch panel monitor

The touch panel monitor with pre-installed software for the FHV7 Smart Camera can be used as an easy-to-install operator interface.

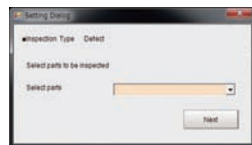


* Ask Advantech about the warranty period and coverage of this product. <https://www.advantech.com/contact/offices/>

Customizable user interface prevents incorrect operation

The processing item setting window includes parameters for initial setting and for daily adjustments. To prevent incorrect operation, you can customize the adjustment window to show only parameters that are required for your daily operation.

Example 1: Show only necessary parameters

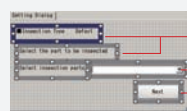


Example 2: Show a wizard



Easy setting

Just select objects from the list in the dialog box and place them. No programming is required.



- Label:** Any character string can be displayed in any desired position
- Drop-down list:** Options can be set
- Button:** Operation that is performed when the button is pressed can be set

Easy machine control design

Connecting Sysmac devices via EtherCAT and using the integrated development environment Sysmac Studio allow you to design machine operation as you want.

One Connection

From position detection to positioning, high-speed data transmission via EtherCAT® enables smooth and flexible control.

Machine automation controller

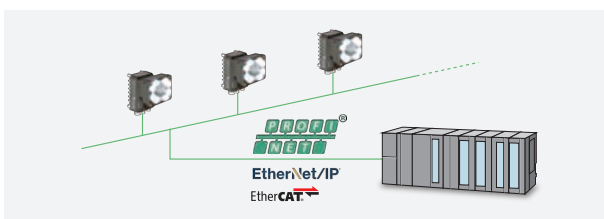
One Software

Programming devices on EtherCAT from the integrated interface reduces setup times.

Easy connection to field networks

EtherCAT *, EtherNet/IP, PROFINET

The FHV7 Smart Camera includes communication interfaces for compatibility with a wide range of network protocols used at production sites. This helps reduce the design work required for data communications between the camera and a PLC.



Easy setting of output items



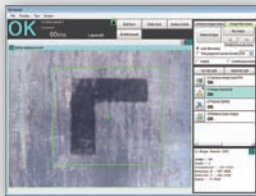


Just select variables to output measurement results.

3.Result output (I / O)				
Output setting		Output data		
No.	Offset	Data Type	Data	Value
0	0	Integer	123	
1	4	Double	123.456	
2	12	String	ABCDE	
3				

* The FHV-SDU30 EtherCAT Interface is required for EtherCAT connection.

Product lineup

The product lineup includes general-use Smart Cameras and high-speed, high-accuracy vision systems. You can choose the right one according to your requirements for speed and accuracy of each process. Both FH Series and FHV7 Series have the common user interface and operating procedures, so it is possible to share the same image inspection method across the production line. This reduces the time for operator training. The compatibility of setting data enables you to upgrade hardware easily when speed and accuracy enhancement is needed.

		For various types of inspections			For processes requiring high speed and high resolution		
		Smart Camera FHV7 Series			Vision System FH Series		
							
		FHV7X			FH-2050	FH-5050	
Hardware Grade	Performance ^{*1}	★			★★	★★★	
	No. of cameras	1			8	8	
	Resolution	0.4 Mpix	1.6 Mpix	3.2 Mpix	0.4 Mpix	1.6 Mpix	3.2 Mpix
		5 Mpix	6.3 Mpix	12 Mpix	5 Mpix	12 Mpix	20.4 Mpix
One Software	Screens	Main screen 			Measurement flow setting screen 		Measurement condition setting screen 
	Image logging format	JPEG			BMP	IFZ (Omron format)	
	Setting data	Compatible ^{*2}					

*1. ★: The more stars, the higher the performance.

*2. Settings for the common functions can be shared between series.

Processing items

Most frequently used processing items come standard, according to customer usage of the high-spec vision system FH Series.

Group	Processing Item	FHV7 Series	FH Series
Measurement	Search	✓	✓
	Search II	✓	✓
	Flexible Search	✓	✓
	Sensitive Search	✓	✓
	ECM Search	-	✓
	EC Circle Search	-	✓
	Shape Search II	-	✓
	Shape Search III	✓	✓
	EC Corner	-	✓
	Ec Cross	-	✓
	Classification	✓	✓
	Edge Position	✓	✓
	Edge Pitch	✓	✓
	Scan Edge Position	✓	✓
	Scan Edge Width	✓	✓
	Circular Scan Edge Position	✓	✓
	Circular Scan Edge Width	✓	✓
	Intersection	✓	✓
	Color Data	✓	✓
	Gravity and Area	✓	✓
	Labeling	✓	✓
	Label Data	-	✓
	Defect	-	✓
	Precise Defect	✓	✓
	Fine Matching	✓	✓
	Character Inspect	✓	✓
	Date Verification	✓	✓
	Model Dictionary	✓	✓
	2DCode II	✓	✓
	2DCode	✓	✓
Barcode	✓	✓	
OCR User Dictionary	✓	✓	
OCR	✓	✓	
Circle Angle	-	✓	
Glue Bead Inspection	✓	✓	
AI FineMatching ^{*2}	-	✓	
Input Image	Camera Image Input	-	✓
	Camera Image Input FH	-	✓
	Camera Image Input FHV	✓	-
	Camera Image Input HDR	✓	✓
	Camera Image Input HDR Lite	-	✓
	Photometric Stereo Image Input	✓	✓
	Camera Switch	-	✓
	Measurement Image Switching	✓	✓
Compensate image	Multi-trigger Imaging	✓	✓
	Multi-trigger Imaging Task	✓	✓
	Position Compensation	✓	✓
	Filtering	✓	✓
	Background Suppression	✓	✓
	Brightness Correct Filter	✓	✓
	Color Gray Filter	✓	✓
	Extract Color Filter	✓	✓
	Anti Color Shading	✓	✓
	Stripes Removal Filter II	✓	✓
	Polar Transformation	✓	✓
	Trapezoidal Correction	✓	✓
	Machine Simulator	-	✓
	Image Subtraction	✓	✓
	Advanced filter	✓	✓
Panorama	-	✓	
AI Scratch Detect Filter ^{*2}	-	✓	

*1. You can output the measurement results of the FHV7 Series to an external device by Ethernet or RS-232C.

- Use the Result Output (I/O) processing item to output data via PLC Link or Fieldbus (EtherNet/IP, PROFINET).
- Use the Result Output (Message) processing item to output data through non-procedure communications.
- Use the Result Output (I/O) processing item to output data using the FHV-SDU30 Smart Camera Data Unit EtherCAT interface.
- Use the Result Output (Parallel I/O) processing item to output data using the FHV-SDU10 Smart Camera Data Unit Parallel Interface.

*2. Refer to the FH Series catalog for the usage conditions of AI processing.

Note : Refer to page 43 for details of processing items.

Group	Processing Item	FHV7 Series	FH Series
Support measurement	Unit Macro	-	✓
	Unit Calculation Macro	-	✓
	Calculation	✓	✓
	Line Regression	✓	✓
	Circle Regression	✓	✓
	Precise Calibration	✓	✓
	User Data	-	✓
	Set Unit Data	-	✓
	Get Unit Data	-	✓
	Set Unit Figure	-	✓
	Get Unit Figure	-	✓
	Trend Monitor	✓	✓
	Image Logging	✓	✓
	Image Conversion Logging	✓	✓
	Data Logging	-	✓
	Elapsed Time	✓	✓
	Wait	✓	✓
	Focus	-	✓
	Iris	-	✓
	Parallelize	✓	✓
	Parallelize Task	✓	✓
	Statistics	✓	✓
	Reference Calib Data	✓	✓
	Position Data Calculation	✓	✓
	Stage Data	✓	✓
	Robot Data	✓	✓
	Vision Master Calibration	✓	✓
	PLC Master Calibration	-	✓
	Convert Position Data	✓	✓
	Movement Single Position	✓	✓
Movement Multi Points	✓	✓	
Detection Point	-	✓	
Manual Position Setting	-	✓	
Camera Calibration	✓	✓	
Data Save	-	✓	
Conveyor Calibration	-	✓	
Scene	✓	✓	
System Information	✓	✓	
Branch	Conditional Branch	-	✓
	End	✓	✓
	DI Branch	-	✓
	Control Flow Normal	-	✓
	Control Flow PLC Link	-	✓
	Control Flow Parallel	-	✓
	Control Flow Fieldbus	-	✓
	Selective Branch	-	✓
	Conditional Execution (If)	✓	✓
	Conditional Execution (Else)	✓	✓
	Loop	✓	✓
	Loop Suspension	✓	✓
	Select Execution(Select)	✓	✓
	Select Execution(Case)	✓	✓
	Output result ^{*1}	Result Output (I/O)	✓
Result Output(Message)		✓	✓
Result Output (Parallel I/O)		✓	✓
Data Output		-	✓
Parallel Data Output		-	✓
Parallel Judgement Output		-	✓
Fieldbus Data Output		-	✓
Display result	Result Display	✓	✓
	Display Image File	-	✓
	Display Last NG Image	✓	✓
	Conveyor Panorama Display	-	✓
	Display Image Hold	✓	✓

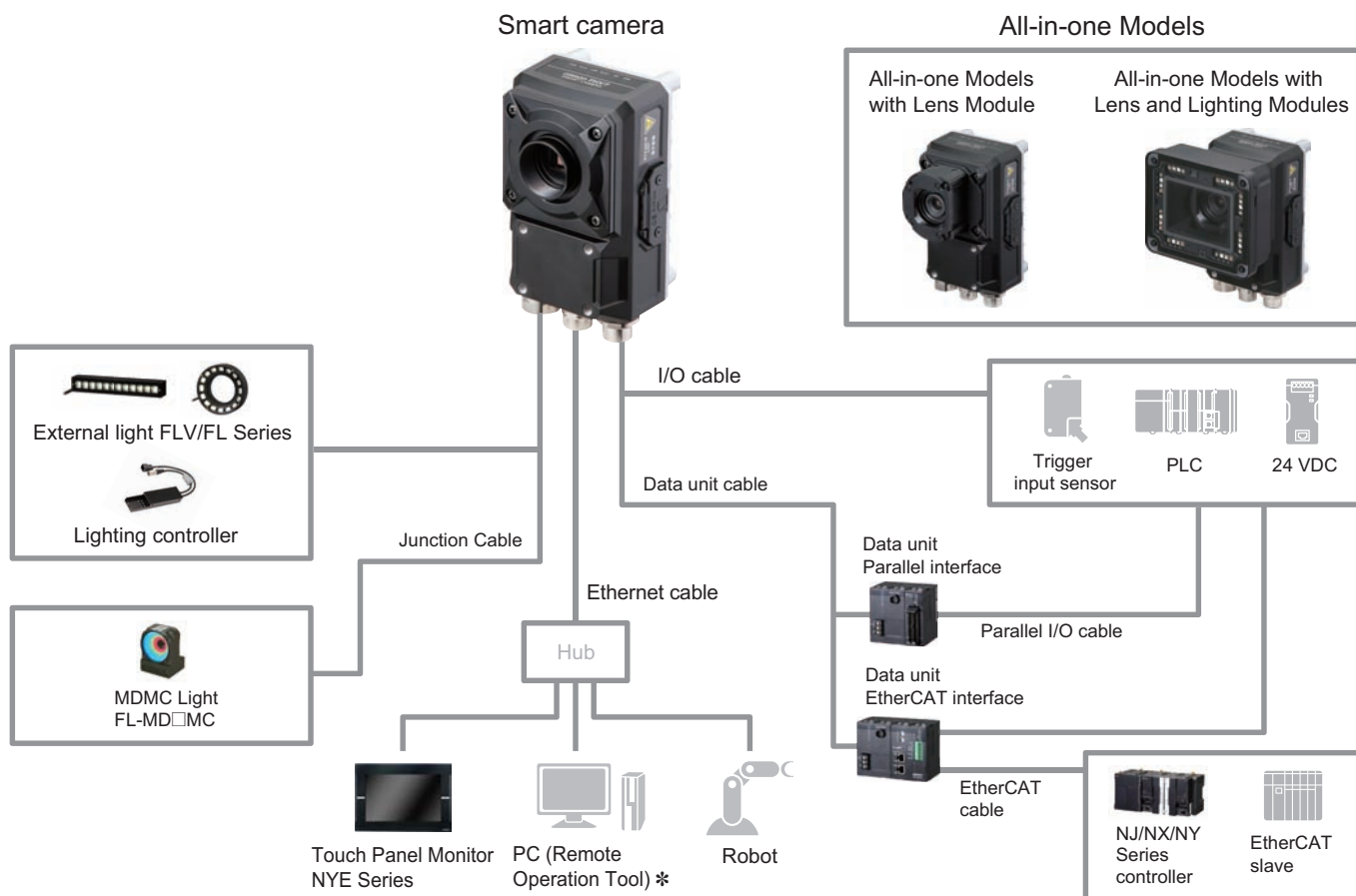
Smart Camera FHV7 Series

The functionality and speed that your production site demands packed in an all-in-one device

- A robust all-in-one body that makes it easy to install
- Flexibly accommodates object changes
- Excellent productivity performance



System Configuration



* After purchasing the product, you can register as a member to download this for free. For details, see the member registration sheet included with the FHV7 Smart Camera.

Model Selection

To select a model of Smart Camera, use the WEB Selector.

http://www.ia.omron.com/fhv_select_e

Note: With certain module types, the operation of some combinations cannot be guaranteed. Use the Web Selector to select the correct combination of image sensor, lens, resolution, and light.



Model Number Structure

FHV7 Series Model Number Legend

Use this legend when determining the product specifications from the model number. When ordering, use a model number from the table in *Ordering Information*.

FHV7X- - -






1 2 3 4 5 6 7

No.	Classification	Code	Meaning
1	Controller specification	X	64-bit OS model
2	Image sensors	M	Monochrome
		C	Color
3	Resolution	004	0.4 million pixels
		016	1.6 million pixels
		032	3.2 million pixels
		050	5 million pixels
		063	6.3 million pixels
		120	12 million pixels
4	Shutter type	-	Global shutter
		R	Rolling shutter
5	Lens	C	C mount
		H	High-speed lens module (autofocus)
		S	Standard lens module (autofocus)

No.	Classification	Code	Meaning
6	Focal length	06	6 mm
		09	9 mm
		12	12 mm
		16	16 mm
		19	19 mm
7	Light color	25	25 mm
		R	Red
		W	White
		IR	IR
		MC	Multi color

Configuration


For the Smart Camera FHV7 series, there are five configurations below by module combinations.

Smart camera	Lens	Internal lighting	Protective structure	Integrated model	Appearance	Configuration	
0.4 million pixels 1.6 million pixels 3.2 million pixels 5 million pixels 6.3 million pixels 12 million pixels	FHV7X-□004-□ FHV7X-□016-□ FHV7X-□032-□ FHV7X-□050-□ FHV7X-□063R-□ FHV7X-□120R-□	C mount lens 3Z4SLE SV-□□□□V 3Z4SLE SV-□□□□H	N/A	IP40	FHV7X-□□□□□-C	 C mount lens/IP40	
				IP67	Waterproof Hoods required FHV-XHD-S FHV-XHD-L	N/A	 C mount lens/IP67
0.4 million pixels 1.6 million pixels 3.2 million pixels 6.3 million pixels	FHV7X-□004-□ FHV7X-□016-□ FHV7X-□032-□ FHV7X-□063R-□	FHV lens module FHV-LEM-H□□ FHV-LEM-S□□	N/A	IP40	FHV7X-□□□□□-H□□ FHV7X-□□□□□-S□□	 Lens module/IP40	
				IP67	Waterproof Hoods required FHV-XHD-LEM	N/A	 Lens module/IP67
			FHV-LTM-□□	IP67	FHV7X-□□□□□-H□□-□□ FHV7X-□□□□□-S□□-□□		 Lens module /Internal lighting - IP67


FHV7 Series

Ordering Information

Smart Cameras C Mount Models


Item	Resolution	Model	
		Color	Monochrome
	0.4 million pixels	FHV7X-C004-C	FHV7X-M004-C
	1.6 million pixels	FHV7X-C016-C	FHV7X-M016-C
	3.2 million pixels	FHV7X-C032-C	FHV7X-M032-C
	5 million pixels	FHV7X-C050-C	FHV7X-M050-C
	6.3 million pixels	FHV7X-C063R-C	FHV7X-M063R-C
	12 million pixels	FHV7X-C120R-C	FHV7X-M120R-C

All-in-one Models with Lens Module


Item	Resolution	Lens	Focal length	Model		
				Color	Monochrome	
	0.4 million pixels	High-speed lens module (autofocus)	6 mm	FHV7X-C004-H06	FHV7X-M004-H06	
			19 mm	FHV7X-C004-H19	FHV7X-M004-H19	
		Standard lens module (autofocus)	6 mm	FHV7X-C004-S06	FHV7X-M004-S06	
			9 mm	FHV7X-C004-S09	FHV7X-M004-S09	
			12 mm	FHV7X-C004-S12	FHV7X-M004-S12	
			16 mm	FHV7X-C004-S16	FHV7X-M004-S16	
			25 mm	FHV7X-C004-S25	FHV7X-M004-S25	
		1.6 million pixels	High-speed lens module (autofocus)	6 mm	FHV7X-C016-H06	FHV7X-M016-H06
				19 mm	FHV7X-C016-H19	FHV7X-M016-H19
			Standard lens module (autofocus)	6 mm	FHV7X-C016-S06	FHV7X-M016-S06
	9 mm			FHV7X-C016-S09	FHV7X-M016-S09	
	12 mm			FHV7X-C016-S12	FHV7X-M016-S12	
	16 mm			FHV7X-C016-S16	FHV7X-M016-S16	
	25 mm			FHV7X-C016-S25	FHV7X-M016-S25	
	3.2 million pixels		High-speed lens module (autofocus)	6 mm	FHV7X-C032-H06	FHV7X-M032-H06
				19 mm	FHV7X-C032-H19	FHV7X-M032-H19
			Standard lens module (autofocus)	6 mm	FHV7X-C032-S06	FHV7X-M032-S06
		9 mm		FHV7X-C032-S09	FHV7X-M032-S09	
		12 mm		FHV7X-C032-S12	FHV7X-M032-S12	
		16 mm		FHV7X-C032-S16	FHV7X-M032-S16	
		25 mm		FHV7X-C032-S25	FHV7X-M032-S25	
		6.3 million pixels	High-speed lens module (autofocus)	6 mm	FHV7X-C063R-H06	FHV7X-M063R-H06
				19 mm	FHV7X-C063R-H19	FHV7X-M063R-H19
			Standard lens module (autofocus)	6 mm	FHV7X-C063R-S06	FHV7X-M063R-S06
9 mm	FHV7X-C063R-S09			FHV7X-M063R-S09		
12 mm	FHV7X-C063R-S12			FHV7X-M063R-S12		
16 mm	FHV7X-C063R-S16			FHV7X-M063R-S16		
25 mm	FHV7X-C063R-S25			FHV7X-M063R-S25		

* For the focal length and horizontal field of view, refer to specifications (P.33) and optical charts of the lens module (P.52).

All-in-one Models with Lens and Lighting Modules



Item	Resolution	Lens	Focal length	Light color	Model		
					Color	Monochrome	
	0.4 million pixels	High-speed lens module (autofocus)	6 mm	Multi color	FHV7X-C004-H06-MC	FHV7X-M004-H06-MC	
				Red	---	FHV7X-M004-H06-R	
				White	FHV7X-C004-H06-W	FHV7X-M004-H06-W	
				IR	---	FHV7X-M004-H06-IR	
			19 mm	Multi color	FHV7X-C004-H19-MC	FHV7X-M004-H19-MC	
				Red	---	FHV7X-M004-H19-R	
				White	FHV7X-C004-H19-W	FHV7X-M004-H19-W	
				IR	---	FHV7X-M004-H19-IR	
		Standard lens module (autofocus)	6 mm	Multi color	FHV7X-C004-S06-MC	FHV7X-M004-S06-MC	
				Red	---	FHV7X-M004-S06-R	
				White	FHV7X-C004-S06-W	FHV7X-M004-S06-W	
				IR	---	FHV7X-M004-S06-IR	
			9 mm	Multi color	FHV7X-C004-S09-MC	FHV7X-M004-S09-MC	
				Red	---	FHV7X-M004-S09-R	
				White	FHV7X-C004-S09-W	FHV7X-M004-S09-W	
				IR	---	FHV7X-M004-S09-IR	
			12 mm	Multi color	FHV7X-C004-S12-MC	FHV7X-M004-S12-MC	
				Red	---	FHV7X-M004-S12-R	
				White	FHV7X-C004-S12-W	FHV7X-M004-S12-W	
				IR	---	FHV7X-M004-S12-IR	
			16 mm	Multi color	FHV7X-C004-S16-MC	FHV7X-M004-S16-MC	
				Red	---	FHV7X-M004-S16-R	
				White	FHV7X-C004-S16-W	FHV7X-M004-S16-W	
				IR	---	FHV7X-M004-S16-IR	
	25 mm		Multi color	FHV7X-C004-S25-MC	FHV7X-M004-S25-MC		
			Red	---	FHV7X-M004-S25-R		
			White	FHV7X-C004-S25-W	FHV7X-M004-S25-W		
			IR	---	FHV7X-M004-S25-IR		
	1.6 million pixels		High-speed lens module (autofocus)	6 mm	Multi color	FHV7X-C016-H06-MC	FHV7X-M016-H06-MC
					Red	---	FHV7X-M016-H06-R
					White	FHV7X-C016-H06-W	FHV7X-M016-H06-W
					IR	---	FHV7X-M016-H06-IR
		19 mm		Multi color	FHV7X-C016-H19-MC	FHV7X-M016-H19-MC	
				Red	---	FHV7X-M016-H19-R	
				White	FHV7X-C016-H19-W	FHV7X-M016-H19-W	
				IR	---	FHV7X-M016-H19-IR	
		Standard lens module (autofocus)	6 mm	Multi color	FHV7X-C016-S06-MC	FHV7X-M016-S06-MC	
				Red	---	FHV7X-M016-S06-R	
				White	FHV7X-C016-S06-W	FHV7X-M016-S06-W	
				IR	---	FHV7X-M016-S06-IR	
			9 mm	Multi color	FHV7X-C016-S09-MC	FHV7X-M016-S09-MC	
				Red	---	FHV7X-M016-S09-R	
				White	FHV7X-C016-S09-W	FHV7X-M016-S09-W	
				IR	---	FHV7X-M016-S09-IR	
			12 mm	Multi color	FHV7X-C016-S12-MC	FHV7X-M016-S12-MC	
				Red	---	FHV7X-M016-S12-R	
				White	FHV7X-C016-S12-W	FHV7X-M016-S12-W	
				IR	---	FHV7X-M016-S12-IR	
16 mm			Multi color	FHV7X-C016-S16-MC	FHV7X-M016-S16-MC		
			Red	---	FHV7X-M016-S16-R		
			White	FHV7X-C016-S16-W	FHV7X-M016-S16-W		
			IR	---	FHV7X-M016-S16-IR		
25 mm	Multi color		FHV7X-C016-S25-MC	FHV7X-M016-S25-MC			
	Red		---	FHV7X-M016-S25-R			
	White		FHV7X-C016-S25-W	FHV7X-M016-S25-W			
	IR		---	FHV7X-M016-S25-IR			

FHV7 Series

Item	Resolution	Lens	Focal length	Light color	Model	
					Color	Monochrome
	3.2 million pixels	High-speed lens module (autofocus)	6 mm	Multi color	FHV7X-C032-H06-MC	FHV7X-M032-H06-MC
				Red	---	FHV7X-M032-H06-R
				White	FHV7X-C032-H06-W	FHV7X-M032-H06-W
				IR	---	FHV7X-M032-H06-IR
			19 mm	Multi color	FHV7X-C032-H19-MC	FHV7X-M032-H19-MC
				Red	---	FHV7X-M032-H19-R
				White	FHV7X-C032-H19-W	FHV7X-M032-H19-W
				IR	---	FHV7X-M032-H19-IR
		Standard lens module (autofocus)	6 mm	Multi color	FHV7X-C032-S06-MC	FHV7X-M032-S06-MC
				Red	---	FHV7X-M032-S06-R
				White	FHV7X-C032-S06-W	FHV7X-M032-S06-W
				IR	---	FHV7X-M032-S06-IR
			9 mm	Multi color	FHV7X-C032-S09-MC	FHV7X-M032-S09-MC
				Red	---	FHV7X-M032-S09-R
				White	FHV7X-C032-S09-W	FHV7X-M032-S09-W
				IR	---	FHV7X-M032-S09-IR
			12 mm	Multi color	FHV7X-C032-S12-MC	FHV7X-M032-S12-MC
				Red	---	FHV7X-M032-S12-R
				White	FHV7X-C032-S12-W	FHV7X-M032-S12-W
				IR	---	FHV7X-M032-S12-IR
			16 mm	Multi color	FHV7X-C032-S16-MC	FHV7X-M032-S16-MC
				Red	---	FHV7X-M032-S16-R
				White	FHV7X-C032-S16-W	FHV7X-M032-S16-W
				IR	---	FHV7X-M032-S16-IR
	25 mm	Multi color	FHV7X-C032-S25-MC	FHV7X-M032-S25-MC		
		Red	---	FHV7X-M032-S25-R		
		White	FHV7X-C032-S25-W	FHV7X-M032-S25-W		
		IR	---	FHV7X-M032-S25-IR		
	6.3 million pixels	High-speed lens module (autofocus)	6 mm	Multi color	FHV7X-C063R-H06-MC	FHV7X-M063R-H06-MC
				Red	---	FHV7X-M063R-H06-R
				White	FHV7X-C063R-H06-W	FHV7X-M063R-H06-W
				IR	---	FHV7X-M063R-H06-IR
			19 mm	Multi color	FHV7X-C063R-H19-MC	FHV7X-M063R-H19-MC
				Red	---	FHV7X-M063R-H19-R
				White	FHV7X-C063R-H19-W	FHV7X-M063R-H19-W
				IR	---	FHV7X-M063R-H19-IR
		Standard lens module (autofocus)	6 mm	Multi color	FHV7X-C063R-S06-MC	FHV7X-M063R-S06-MC
				Red	---	FHV7X-M063R-S06-R
				White	FHV7X-C063R-S06-W	FHV7X-M063R-S06-W
				IR	---	FHV7X-M063R-S06-IR
			9 mm	Multi color	FHV7X-C063R-S09-MC	FHV7X-M063R-S09-MC
				Red	---	FHV7X-M063R-S09-R
				White	FHV7X-C063R-S09-W	FHV7X-M063R-S09-W
				IR	---	FHV7X-M063R-S09-IR
			12 mm	Multi color	FHV7X-C063R-S12-MC	FHV7X-M063R-S12-MC
				Red	---	FHV7X-M063R-S12-R
				White	FHV7X-C063R-S12-W	FHV7X-M063R-S12-W
				IR	---	FHV7X-M063R-S12-IR
16 mm			Multi color	FHV7X-C063R-S16-MC	FHV7X-M063R-S16-MC	
			Red	---	FHV7X-M063R-S16-R	
			White	FHV7X-C063R-S16-W	FHV7X-M063R-S16-W	
			IR	---	FHV7X-M063R-S16-IR	
25 mm	Multi color	FHV7X-C063R-S25-MC	FHV7X-M063R-S25-MC			
	Red	---	FHV7X-M063R-S25-R			
	White	FHV7X-C063R-S25-W	FHV7X-M063R-S25-W			
	IR	---	FHV7X-M063R-S25-IR			

* For the focal length and horizontal field of view, refer to specifications (P.33) and optical charts of the lens module (P.52)

Lens Modules

Item	Focal length	Model
 High-speed lens module (Autofocus)	6 mm	FHV-LEM-H06
	19 mm	FHV-LEM-H19
 Standard lens module (Autofocus)	6 mm	FHV-LEM-S06
	9 mm	FHV-LEM-S09
	12 mm	FHV-LEM-S12
	16 mm	FHV-LEM-S16
	25 mm	FHV-LEM-S25




* For the focal length and horizontal field of view, refer to specifications (P.33) and optical charts of the lens module (P.52).

Note: Refer to the *Vision Accessory Catalog* (Cat No. Q198) for details on C-mount lenses.

Lighting Modules




Item	Light color	Model
	Multi color	FHV-LTM-MC
	Red	FHV-LTM-R
	White	FHV-LTM-W
	IR	FHV-LTM-IR

Optical Filters

Item	Model
 Polarization Filter For visible light	FHV-XPL
 Polarization Filter For both infrared light and visible light	FHV-XPL-IR
 Diffusion Filter	FHV-XDF

Waterproof Hoods

Required to ensure IP67 protection without using a lighting module.

Item	Model
 Waterproof Hood for Lens Modules	FHV-XHD-LEM
 Waterproof Hood for C-mount Lens (Short) *1	FHV-XHD-S
 Waterproof Hood for C-mount Lens (Long) *2	FHV-XHD-L

*1. Can be used with the following lenses.










3Z4S-LE SV-0614V, 3Z4S-LE SV-0813V, 3Z4S-LE SV-1214V, 3Z4S-LE SV-1614V, 3Z4S-LE SV-2514V

*2. Can be used with the following lenses.

3Z4S-LE SV-0614H, 3Z4S-LE SV-0814H, 3Z4S-LE SV-1214H, 3Z4S-LE SV-1614H, 3Z4S-LE SV-2514H, 3Z4S-LE SV-3514H, 3Z4S-LE SV-5014H



FHV7 Series

Cables






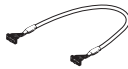

	Item	Cable length	Model
	I/O Cable (Bend Resistant) *1	2m	FHV-VDB2 2M
		3m	FHV-VDB2 3M
		5m	FHV-VDB2 5M
		10m	FHV-VDB2 10M
		20m	FHV-VDB2 20M
	I/O Cable (Bend Resistant, Right-angle) *1	2m	FHV-VDLB2 2M
		3m	FHV-VDLB2 3M
		5m	FHV-VDLB2 5M
		10m	FHV-VDLB2 10M
		20m	FHV-VDLB2 20M
	I/O Cable (Super Bend Resistant) *1	5m	FHV-VDBX2 5M
		10m	FHV-VDBX2 10M
	I/O Cable (Super Bend Resistant, Right-angle) *1	5m	FHV-VDLBX2 5M
		10m	FHV-VDLBX2 10M
	Ethernet Cable (Bend Resistant)	2m	FHV-VNB2 2M
		3m	FHV-VNB2 3M
		5m	FHV-VNB2 5M
		10m	FHV-VNB2 10M
		20m	FHV-VNB2 20M
	Ethernet Cable (Bend Resistant, Right-angle)	2m	FHV-VNLB2 2M
		3m	FHV-VNLB2 3M
		5m	FHV-VNLB2 5M
		10m	FHV-VNLB2 10M
		20m	FHV-VNLB2 20M
	Ethernet Cable (Super Bend resistant)	5m	FHV-VNBX2 5M
		10m	FHV-VNBX2 10M
	Ethernet Cable (Super Bend resistant, Right-angle)	5m	FHV-VNLBX2 5M
		10m	FHV-VNLBX2 10M
	External Light Conversion Cable for MDMC Light/ Photometric Stereo Light	0.1m	FHV-VFLX-GD

*1. The FHV-VDB2/VDLB2/VDBX2/VDLBX2 I/O Cable cannot be connected when the smart camera data unit is used.
Use the FHV-VUB2/VULB2/VUBX2/VULBX2 Smart Camera Data Unit Cable.

Smart Camera Data Unit

Item	Model
 Paralle linterface	FHV-SDU10
 EtherCAT interface	FHV-SDU30

Smart Camera Data Unit Cable












Item	Cable length	Model
	2m	FHV-VUB2 2M
	3m	FHV-VUB2 3M
	5m	FHV-VUB2 5M
	10m	FHV-VUB2 10M
	20m	FHV-VUB2 20M
	2m	FHV-VULB2 2M
	3m	FHV-VULB2 3M
	5m	FHV-VULB2 5M
	10m	FHV-VULB2 10M
	20m	FHV-VULB2 20M
	5m	FHV-VUBX2 5M
	10m	FHV-VUBX2 10M
	5m	FHV-VULBX2 5M
	10m	FHV-VULBX2 10M
	2m	XW2Z-S013-2
	5m	XW2Z-S013-5
	0.5m	XW2Z-050EE
	1m	XW2Z-100EE
	1.5m	XW2Z-150EE
	2m	XW2Z-200EE
	3m	XW2Z-300EE
	5m	XW2Z-500EE
	Phillips screw	XW2R-J34GD-T
	Slotted screw (rise up)	XW2R-E34GD-T
	Push-in spring	XW2R-P34GD-T

*1. The FHV-VDB2/VDLB2/VDBX2/VDLBX2 I/O Cable cannot be connected when this cable is used.

*2. Refer to the XW2R datasheet for details.

FHV7 Series

Accessories

Item		Model	
	Base Mount for Smart Cameras and Lighting Controllers	FHV-XMT-7	
	Base Mount for Lighting Controllers	FHV-XMT-7-TCC	
	Light Cover (for replacement) *1	FHV-XCV	
	Waterproof Cap (for replacement)	for Ethernet Connector	FHV-XWC-ECN
		for Light Connector	FHV-XWC-LCN
	Waterproof Packing *2 (for replacement, 5 pcs)	for Camera	FHV-XWP-CAM
		for Lighting Module	FHV-XWP-LTM
		for Waterproof Hood	FHV-XWP-HD-SL
	Light-shielding for Lighting Module (for replacement, 3 pcs) *3	FHV-XLS-LTM	
	Cover for High-speed Lens Module (for replacement, cover 1pcs, screws 5 pcs (including one spare piece))	FHV-XFC-LEM-H	
	Cover for Standard Lens Module (for replacement, cover 1pcs, screws 5 pcs (including one spare piece))	FHV-XFC-LEM-S	
	Cover for C-mount Lens (for replacement, cover 1pcs, screws 5 pcs (including one spare piece))	FHV-XFC-C	
---	Screw for microSD card cover (for replacement, 10 pcs)	FHV-XSCR-MSD	


*1. Adapted lighting module

FHV-LTM-W, FHV-LTM-R, FHV-LTM-IR, FHV-LTM-MC

*2. Always replace when a module is removed.

*3. It is considered a consumable item that will deteriorate. Please replace as needed.

Accessories

Item	Descriptions		Model	
—	External Lights	LED	FLV Series	
		High-brightness LED	FL-BR/DR Series	
		Photometric Stereo Light	FL-PS Series	
		MDMC Light (Built-in lighting controller)	FL-MD Series	
—	Lighting controller	LED	FLV-TCC/ATC	
		High-brightness LED	FL-TCC/STC	
		For photometric Stereo Light	FL-TCC1PS	
	Industrial Switching Hubs for EtherNet/IP and Ethernet	5 port	Current consumption: 0.07 A	W4S1-05D

Lenses





Refer to the *Vision Accessory Catalog* (Cat. No. Q198) for details.

Resolution	Camera Model	Size of image element	Recommended lens		
			Standard Lens	Telecentric Lens	Vibrations and Shocks Resistant Lens
0.4 million-pixel	FHV7X-□004	1/2.9" equivalent	SV-V Series	VS-TCH Series	VS-MCA Series Non-telecentric Macro VS-MC Series
1.6 million-pixel	FHV7X-□016	1/2.9" equivalent			
3.2 million-pixel	FHV7X-□032	1/1.8" equivalent	SV-H Series		
5 million-pixel	FHV7X-□060	2/3" equivalent			
6.3 million-pixel	FHV7X-□063R	1/1.8" equivalent			
12 million-pixel	FHV7X-□120R	1/1.7" equivalent			

Recommended EtherCAT Communications Cables

Use Straight STP (shielded twisted-pair) cable of category 5 or higher with double shielding (braiding and aluminum foil tape) for EtherCAT.

Cable with Connectors

Item	Appearance	Recommended manufacturer	Cable length (m)	Model
Cable with Connectors on Both Ends (RJ45/RJ45) Standard RJ45 plugs type *1 Wire Gauge and Number of Pairs: AWG26, 4-pair Cable Cable Sheath material: PUR Cable color: Yellow *2		OMRON	0.3	XS6W-6PUR8SS30CM-YF
			0.5	XS6W-6PUR8SS50CM-YF
			1	XS6W-6PUR8SS100CM-YF
			2	XS6W-6PUR8SS200CM-YF
			3	XS6W-6PUR8SS300CM-YF
			5	XS6W-6PUR8SS500CM-YF
Cable with Connectors on Both Ends (RJ45/RJ45) Rugged RJ45 plugs type *1 Wire Gauge and Number of Pairs: AWG22, 2-pair Cable Cable color: Light blue		OMRON	0.3	XS5W-T421-AMD-K
			0.5	XS5W-T421-BMD-K
			1	XS5W-T421-CMD-K
			2	XS5W-T421-DMD-K
			5	XS5W-T421-GMD-K
Cable with Connectors on Both Ends (M12 Straight/M12 Straight) Shield Strengthening Connector cable *3 M12/Smartclick Connectors Wire Gauge and Number of Pairs: AWG22, 2-pair Cable Cable color: Black		OMRON	0.5	XS5W-T421-BM2-SS
			1	XS5W-T421-CM2-SS
			2	XS5W-T421-DM2-SS
			3	XS5W-T421-EM2-SS
			5	XS5W-T421-GM2-SS
			10	XS5W-T421-JM2-SS
Cable with Connectors on Both Ends (M12 Straight/RJ45) Shield Strengthening Connector cable *3 M12/Smartclick Connectors Rugged RJ45 plugs type Wire Gauge and Number of Pairs: AWG22, 2-pair Cable Cable color: Black		OMRON	0.5	XS5W-T421-BMC-SS
			1	XS5W-T421-CMC-SS
			2	XS5W-T421-DMC-SS
			3	XS5W-T421-EMC-SS
			5	XS5W-T421-GMC-SS
			10	XS5W-T421-JMC-SS

*1. Cables with standard RJ45 plugs are available in the following lengths: 0.2 m, 0.3 m, 0.5 m, 1 m, 1.5 m, 2 m, 3 m, 5 m, 7.5 m, 10 m, 15 m, 20 m.


Cables with rugged RJ45 plugs are available in the following lengths: 0.3 m, 0.5 m, 1 m, 2 m, 3 m, 5 m, 10 m, 15 m.

For details, refer to the Industrial Ethernet Connectors Catalog (Cat. No. G019).

*2. Cables colors are available in yellow, green, and blue.

*3. For details, contact your OMRON representative.

Cables / Connectors

Item	Recommended manufacturer	Model
Products for EtherCAT (1000BASE-T/100BASE-TX) Wire gauge and number of pairs: AWG24, 4-pair cable	Cable	Hitachi Metals, Ltd. NETSTAR-C5E SAB 0.5 x 4P CP *1
	RJ45 Connector	Kuramo Electric Co. KETH-SB *1
Products for EtherCAT (100BASE-TX/10BASE-T) Wire gauge and number of pairs: AWG22, 2-pair cable	Cable	Panduit Corporation MPS588-C *1
	RJ45 Assembly Connector	Kuramo Electric Co. KETH-PSB-OMR *2
		JMACS Japan Co., Ltd. PNET/B *2
	OMRON	XS6G-T421-1 *2


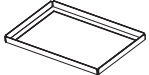
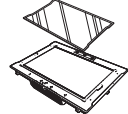
*1. We recommend you to use the above Cable and RJ45 Connector together.

*2. We recommend you to use the above Cable and RJ45 Assembly Connector together.

FHV7 Series

Touch Panel Monitor


Omron Model

Item	Screen size	Frame color	Model
 Touch Panel Monitor for FHV7 Smart Camera series	15.4 inch	Black	NYE2A-20F11-15WR1200
	15.4 inch	Silver *	NYE2A-20F11-15WR1300
	12.1 inch	Black	NYE2A-20F11-12WR1200
	12.1 inch	Silver *	NYE2A-20F11-12WR1300
 High-Pressure Waterproof Attachment (PWA)	15.4 inch	—	NA-15WATW01
	12.1 inch	—	NA-12WATW01
 Anti-reflection Sheets	15.4 inch	—	NA-15WKBA04
	12.1 inch	—	NA-12WKBA04

* The silver color is a European area limited model.

Advantech Model

Ask Advantech about the warranty period and coverage of this product.

Item	Model	Recommended manufacturer
 Touch Panel Monitor ARM VESA Standard (A-CLEVER) for PPC Series Wall mount kit for PPC Series Stand for PPC Series ADP A/D 100-240V 90W 19V W/PFC Power cord 3P UL 10 A 125 V 1.8 m Power cord 3P Europe (WS-010+083) 1.83 m Power cord 3P/3P PSE 1.8 m Power cord 3P CCC (China) 1.8 m	PPC-310-OMR	Find your local office on the Advantech website https://www.advantech.com/contact/offices/
	PPC-ARM-A03	
	PPC-174T-WL-MTE	
	PPC-Stand-A1E	
	96PSA-A90W19OT-3	
	1700001524	
	170203183C	
	1700008921-11	
96CB-POWER-B-1.8M		

Automation Software Sysmac Studio

The Sysmac Studio is the software that provides an integrated environment for setting, programming, debugging and maintenance of machine automation controllers including the NJ/NX-series CPU Units, NY-series Industrial PC, EtherCAT Slave, and the HMI.

For details, refer to your local OMRON website and *Sysmac Studio Catalog* (Cat. No. P138).

Ratings and Specifications

Smart Camera

Item	Model	FHV7X-M004-C	FHV7X-C004-C	FHV7X-M016-C	FHV7X-C016-C	FHV7X-M032-C	FHV7X-C032-C	FHV7X-M050-C	FHV7X-C050-C	FHV7X-M063R-C	FHV7X-C063R-C	FHV7X-M120R-C	FHV7X-C120R-C	
Specifications	Operation Mode	Standard	Yes											
		Double speed multi-input	Yes											
		Non-stop adjustment mode	Yes											
	Parallel processing	Yes												
	Possible No. of captured images	256		64		36		25		19		10		
	Possible No. of logging images to Smart Camera	645		161		79		50		39		19		
	Possible No. of scenes	128 *1												
	UI operation	Remote Operation Tool												
	Setup	Create the processing flow using Flow editing.												
Language	Japanese, English, Simplified Chinese, Traditional Chinese, German, French, Italian, Spanish, Korean, Vietnamese, Polish													
Imaging	CMOS Image elements	1/2.9-inch equivalent		1/2.9-inch equivalent		1/1.8-inch equivalent		2/3-inch equivalent		1/1.8-inch equivalent		1/1.7-inch equivalent		
	Color/Monochrome	Monochrome	Color	Monochrome	Color	Monochrome	Color	Monochrome	Color	Monochrome	Color	Monochrome	Color	
	Effective pixels (H x V)	720 × 540		1440 × 1080		2048 × 1536		2448 × 2048		3072 × 2048		4000 × 3000		
	Pixel size	6.9 × 6.9 μm		3.45 × 3.45 μm		3.45 × 3.45 μm		3.45 × 3.45 μm		2.4 × 2.4 μm		1.85 × 1.85 μm		
	Imaging area H × V (opposing corner)	5.0 × 3.8 (6.3 mm)		5.0 × 3.8 (6.3 mm)		7.1 × 5.3 (8.9 mm)		8.5 × 7.1 (11.1 mm)		7.4 × 5.0 (8.9 mm)		7.4 × 5.6 (9.3 mm)		
	Shutter system	Global Shutter								Rolling shutter (Global reset mode compatible)				
	Shutter function	Electronic shutter: Shutter speed can be set from 1 μs to 100 ms.								Electronic shutter: Shutter speed can be set from 55 μs to 100 ms.		Electronic shutter: Shutter speed can be set from 84 μs to 100 ms.		
	Partial function	4 to 540 lines (4-line increments)		4 to 1080 lines (4-line increments)		4 to 1536 lines (4-line increments)		4 to 2048 lines (4-line increments)		4 to 2048 lines (4-line increments)		4 to 3000 lines (4-line increments)		
	Frame rate (image acquisition time)	430 fps (2.3 ms)		224 fps (4.5 ms)		55 fps (18.0 ms)		35 fps (28.0 ms)		59 fps (16.7 ms)		19 fps (25.0 ms)		
	Lens mounting	C mount												
	Field of view, Installation distance	Selecting a lens according to the field of view and installation distance												
External Interface	Serial	RS-232C × 1												
	Ethernet	Protocol: Non-procedure (TCP/UDP) I/F: 1000BASE-T × 1												
	EtherNet/IP	Yes (Target/Ethernet port)												
	PROFINET	Yes (Slave/Ethernet port), Conformance class A												
	EtherCAT	Yes (Slave) (Smart Camera Data Unit FHV-SDU30 only supports.)												
	Parallel I/O	NPN/PNP common												
	Parallel I/O	Input signals	4 signals • STEP (Measurement trigger input) • DI 0 to 2 (Command input signal)											
		Output signals	5 signals • ERROR (ON when there is an error) • OR (Overall Judgement Result) • BUSY (Processing in progress) • READY (ON when Image input is allowed) • STGOUT/SHTOUT (Strobe trigger signal/Shutter output signal)											
	Encoder I/F	Yes (Smart Camera Data Unit FHV-SDU10 only supports.)												
	Monitor I/F	N/A												
USB I/F	N/A													
SD Card I/F	microSD card: SDHC × 1													
Indicator Lamps	Main	PWR: Green, RUN: Green, LINK: Yellow, BUSY: Green, OR: Yellow, ERR: Red												
	SD	SD ACCESS: Yellow												
Supply Voltage	21.6 VDC to 26.4 VDC (When an I/O cable with 20 m is connected, it is 24.0 VDC to 26.4 VDC.)													
Current Consumption	With lighting modules: 4.2 A or less Without lighting modules: 0.60 A													

*1. The number of scenes can be increased up to 1,024 with the Conversion scene group data tool.

FHV7 Series

Item	Model	FHV7X-M004-C	FHV7X-C004-C	FHV7X-M016-C	FHV7X-C016-C	FHV7X-M032-C	FHV7X-C032-C	FHV7X-M050-C	FHV7X-C050-C	FHV7X-M063R-C	FHV7X-C063R-C	FHV7X-M120R-C	FHV7X-C120R-C
Usage Environment	Ambient temperature range	Operating: 0 to +40°C, Storage: -25 to +65°C (with no icing or condensation)											
	Ambient humidity range	Operating & Storage: 35 to 85%RH (With no condensation)											
	Ambient atmosphere	No corrosive gases											
	Vibration tolerance	Oscillation frequency: 10 to 150Hz, Half amplitude: 0.35 mm, Vibration direction: X/Y/Z, Sweep time: 8 minute/count, Sweep count: 10 times With standard lens modules, FHV-LEM-S: Half amplitude: 0.15 mm (Others are the same as above.)											
	Shock resistance	Impact force: 150 m/s ² , Test direction: 6 directions, three time each (up/down, front/behind, left/right)											
	Noise immunity	Fast transient burst • DC power Direct infusion: 2kV, Pulse rising: 5 ns, Pulse width: 50 ns, Burst continuation time: 15 ms/0.75 ms, Period: 300 ms, Application time: 1 min. • I/O line Direct infusion: 1kV, Pulse rising: 5 ns, Pulse width: 50 ns, Burst continuation time: 15 ms/0.75 ms, Period: 300 ms, Application time: 1 min.											
	Grounding	Class D grounding (100 Ω or less grounding resistance) *2											
External shape	Dimensions	110 mm × 68.5 mm × 55.5 mm (H × W × D)											
	Weight	Approx. 670 g											
	Degree of protection	With lighting modules or waterproof hoods: IEC60529 - IP67 (except a connector cap removed) Other than the above: IEC60529 - IP40											
	Case material	Aluminum die-casting (ADC12)											
Accessories	<ul style="list-style-type: none"> • Connector cap for Ethernet cable (mounted on the body): 1 • Connector cap for an external lighting (mounted on the body): 1 • C mount cap (mounted on the body): 1 • C mount cover (mounted on the body): 1 • Instruction sheet: 1 • Membership registration: 1 • General Compliance Information and Instructions for EU: 1 												

*2. Existing the third class grounding

Lens Modules

High-speed Lens Modules (Autofocus)

Item	FHV-LEM-H06		FHV-LEM-H19	
System	Liquid lens auto focus			
Installation distance	102 to 650 mm		202 to 1050 mm	
Horizontal field of view range *	0.4 million pixels	64 × 48 mm to 505 × 376 mm		50 × 37 mm to 266 × 200 mm
	1.6 million pixels			
	3.2 million pixels	92 × 68 mm to 731 × 539 mm		71 × 53 mm to 378 × 284 mm
	6.3 million pixels	97 × 63 mm to 766 × 499 mm		74 × 49 mm to 394 × 264 mm
Focal length *	6 mm		19 mm	
Usage environment	Ambient temperature range	Operating: 0 to +40°C, Storage: -25 to +65°C (with no icing or condensation)		
	Ambient humidity range	Operating & Storage: 35 to 85%RH (With no condensation)		
	Ambient atmosphere	No corrosive gases		
	Vibration tolerance	Oscillation frequency: 10 to 150Hz, Half amplitude: 0.35 mm, Vibration direction: X/Y/Z, Sweep time: 8 minute/count, Sweep count: 10 times		
	Shock resistance	Impact force: 150 m/s ² , Test direction: 6 directions, three time each (up/down, front/behind, left/right)		
External shape	Dimension	50 mm × 41.1 mm × 37.1 mm (H × W × D)	50 mm × 41.1 mm × 36.3 mm (H × W × D)	
	Weight	Approx. 25 g		
	Case material	Polycarbonate		
Accessories	<ul style="list-style-type: none"> Special cover for FHV-LEM-H: 1 Screws: M3 × 8 mm: 5 (including one spare piece) Instruction sheet : 1 Compliance sheet: 1 			

* Refer to optical chart (P.52) for details.

Standard Lens Modules (Autofocus)

Item	FHV-LEM-S06	FHV-LEM-S09	FHV-LEM-S12	FHV-LEM-S16	FHV-LEM-S25	
System	Mechanical auto focus					
Focal length range *1	59 to 1,000 mm	60 to 1,000 mm	60 to 1,000 mm	110 to 2,000 mm	188 to 2,000 mm	
Horizontal field of view range *1	0.4 million pixels	39 × 29 to 845 × 624 mm	24 × 18 to 543 × 407 mm	17 × 13 to 407 × 305 mm	27 × 20 to 614 × 461 mm	30 × 23 to 391 × 293 mm
	1.6 million pixels					
	3.2 million pixels	57 × 42 to 1,234 × 905 mm	34 × 25 to 772 × 579 mm	24 × 18 to 579 × 434 mm	38 × 29 to 874 × 655 mm	43 × 33 to 556 × 417 mm
	6.3 million pixels	50 × 39 to 1,293 × 836 mm	35 × 23 to 807 × 538 mm	25 × 17 to 606 × 404 mm	40 × 27 to 913 × 608 mm	45 × 30 to 581 × 387 mm
Focal length	6 mm	9 mm	12 mm	16 mm	25 mm	
Usage environment	Ambient temperature range	Operating: 0 to +40°C, Storage: -25 to +65°C (with no icing or condensation)				
	Ambient humidity range	Operating & Storage: 35 to 85%RH (With no condensation)				
	Ambient atmosphere	No corrosive gases				
	Vibration tolerance	Oscillation frequency: 10 to 150Hz, Half amplitude: 0.15 mm *2, Vibration direction: X/Y/Z, Sweep time: 8 minute/count, Sweep count: 10 times				
	Shock resistance	Impact force: 150 m/s ² , Test direction: 6 directions, three time each (up/down, front/behind, left/right)				
External shape	Dimension	50 mm × 41 mm × 31 mm (H × W × D)				
	Weight	Approx. 50 g				
	Case material	Polycarbonate				
Accessories	<ul style="list-style-type: none"> Special cover for FHV-LEM-S: 1 Screws: M3 × 8 mm: 5 (including one spare piece) Instruction sheet : 1 Compliance sheet: 1 					

*1. Refer to optical chart (P.52) for details.

*2. When the lens module is mounted to the product, the vibration tolerance is applied for the specifications of the smart camera.

FHV7 Series

Lighting Modules

Model	FHV-LTM-W	FHV-LTM-R	FHV-LTM-IR	FHV-LTM-MC
Color	White	Red	Infrared light	Multi color
Peak wave length	-	Typ. 630 nm	Typ. 850 nm	R: Typ. 630 nm G: Typ. 525 nm B: Typ. 465 nm IR: Typ. 850 nm
Light source	LED	LED	LED	LED
Risk group	Group 2	Group 1	Group 1	R: Group 1 G: Group 2 B: Group 2 IR: Group 1
Usage environment	Ambient temperature range	Operating: 0 to +40°C, Storage: -25 to +65°C (with no icing or condensation)		
	Ambient humidity range	Operating & Storage: 35 to 85%RH (With no condensation)		
	Ambient atmosphere	No corrosive gases		
	Vibration tolerance	Oscillation frequency: 10 to 150Hz, Half amplitude: 0.35 mm, Vibration direction: X/Y/Z, Sweep time: 8 minute/count, Sweep count: 10 times		
	Shock resistance	Impact force: 150 m/s ² , Test direction: 6 directions, three time each (up/down, front/behind, left/right)		
Dimensions	52 mm × 91 mm × 77 mm (H × W × D)			
Weight	270 g	270 g	270 g	270 g
Material	Aluminum die-casting (ADC12), polycarbonate			
Accessories	<ul style="list-style-type: none"> Waterproof packing (small) FHV-XWP-CAM:1 Waterproof packing (large) FHV-XWP-LTM: 1 Light shielding sheet FHV-XLS-LTM: 1 Lighting cover FHV-XCV: 1 Hexagonal wrench (length: 60 mm): 1 Instruction sheet: 1 Compliance sheet: 1 			

Optical Filters

Model	FHV-XDF	FHV-XPL	FHV-XPL-IR
Filter type	Diffusion filter	Polarization filter	Polarization filter
Wavelength	Visible to infrared	Visible	Visible to infrared
Adapted lighting module	FHV-LTM-W FHV-LTM-R FHV-LTM-IR FHV-LTM-MC	FHV-LTM-W FHV-LTM-R FHV-LTM-MC (Infrared light is not used.)	FHV-LTM-W FHV-LTM-R FHV-LTM-IR FHV-LTM-MC
Usage environment	Ambient temperature range	Operating: 0 to +40°C, Storage: -25 to +65°C (with no icing or condensation)	
	Ambient humidity range	Operating & Storage: 35 to 85%RH (With no condensation)	
	Vibration tolerance	No corrosive gases	
	Shock resistance	Oscillation frequency: 10 to 150Hz, Half amplitude: 0.35 mm, Vibration direction: X/Y/Z, Sweep time: 8 minute/count, Sweep count: 10 times	
	Vibration tolerance	Impact force: 150 m/s ² , Test direction: 6 directions, three time each (up/down, front/behind, left/right)	
Material	Aluminum (A6061), polycarbonate		
Weight	Approx. 70 g	Approx. 70 g	Approx. 70 g

Waterproof Hoods

Model	FHV-XHD-S	FHV-XHD-L	FHV-XHD-LEM
Suitable lens	3Z4S-LE SV-V series SV-0614V SV-0813V SV-1214V SV-1614V SV-2514V	3Z4S-LE SV-H series SV-0614H *1 SV-0814H *2 SV-1214H SV-1614H SV-2514H SV-3514H SV-5014H	FHV-LEM-S series FHV-LEM-S06 FHV-LEM-S09 FHV-LEM-S12 FHV-LEM-S16 FHV-LEM-S25 FHV-LEM-H series FHV-LEM-H06 FHV-LEM-H09
Usage environment	Ambient temperature range	Operating: 0 to +40°C, Storage: -25 to +65°C (with no icing or condensation)	
	Ambient humidity range	Operating & Storage: 35 to 85%RH (With no condensation)	
	Ambient atmosphere	No corrosive gases	
	Vibration tolerance	Oscillation frequency: 10 to 150Hz, Half amplitude: 0.35 mm, Vibration direction: X/Y/Z, Sweep time: 8 minute/count, Sweep count: 10 times	
	Shock resistance	Impact force: 150 m/s ² , Test direction: 6 directions, three time each (up/down, front/behind, left/right)	
Material	Aluminum (A6061), polycarbonate		
Weight	Approx. 220 g	Approx. 220 g	Approx. 220 g

*1. This is not available in FHV7X-□050, FHV7X-□063R, FHV7X-□120R.

*2. This is not available in FHV7X-□050.

Smart Camera Data Unit

Item		Parallel interface	EtherCAT interface
Model		FHV-SDU10	FHV-SDU30
Input/output specifications	Parallel I/O	Input: 12 Output: 24 (NPN/PNP combined use)	Input: 1 Output: 2 (NPN/PNP combined use)
	Encoder I/F	Yes (Included in Parallel Input)	None
	EtherCAT communications	None	Yes (slave)
Smart Camera Interface		Special cable to connect No. of connectable cameras: 1	
Indicator	Main	POWER: Green, ERROR: Red, RUN: Green, BUSY: Green, CAMERA: Yellow, OR: Yellow	
	EtherCAT	None	ECAT RUN: Green, LINK/ACT IN: Green, LINK/ACT OUT: Green, ECAT ERROR: Red
Power supply voltage		21.6 to 26.4 VDC (Note: 24.0 to 26.4 VDC when a data unit cable with 20 m is connected.)	
Insulation resistance		Between DC terminal block and FG terminal: 0.5 MΩ (250V Megger)	
Current consumption		4.5 A or less	
Usage environment	Ambient temperature range	Operating: 0 to +50°C, Storage: -25 to +65°C (with no icing or condensation)	
	Ambient humidity range	Operating and storage: 35 to 85%RH (with no condensation)	
	Ambient atmosphere	No corrosive gases	
	Vibration tolerance	Oscillation frequency: 10 to 150 Hz, Half amplitude: 0.1 mm, Vibration direction: X/Y/Z, Sweep time: 8 minutes, Sweep count: 10 times	
	Shock resistance	Impact force: 150 m/s ² , Test direction: 6 directions, Three times each (up/down, front/behind, left/right)	
	Noise immunity	Fast transient burst • DC power Direct infusion: 2 kV, Pulse rising: 5 ns, Pulse width: 50 ns, Burst continuation time: 15 ms / 0.75 ms, Period: 300 ms, Application time: 1 minute • I/O line Coupling clamp: 1 kV, Pulse rising: 5 ns, Pulse width: 50 ns, Burst continuation time: 15 ms / 0.75 ms, Period: 300 ms, Application time: 1 minute	
Grounding		Class D grounding (100 Ω or less grounding resistance) * Existing the third class grounding	
External shape	Dimensions	H (90 mm) × W (93 mm) × D (65 mm)	H (90 mm) × W (124 mm) × D (65 mm)
	Weight	Approx. 250 g	Approx. 325 g
	Degree of protection	IEC60529 - IP20	
	Case material	PC+ABS, PC	
Accessories		<ul style="list-style-type: none"> • Instruction sheet: 1 • Compliance sheet: 1 	

I/O cables

Bending Resistance Cables

Item	FHV-VDB2 2M	FHV-VDLB2 2M	FHV-VDB2 3M	FHV-VDLB2 3M	FHV-VDB2 5M	FHV-VDLB2 5M	FHV-VDB2 10M	FHV-VDLB2 10M	FHV-VDB2 20M	FHV-VDLB2 20M
Cable length	2 m		3 m		5 m		10 m		20 m	
Connector type	Straight connector	Right angle connector	Straight connector	Right angle connector	Straight connector	Right angle connector	Straight connector	Right angle connector	Straight connector	Right angle connector
Cable type	Bending resistance cable									
Size	Power line	AWG21								
	Others	AWG26								
Outer diameter	8.8±0.3 mm dia.									
Min. bending radius	Fixed use: 40 mm, Sliding use: 70 mm									
Input/Output signals	Input signals	4 signals: STEP, DI 0 to 2								
	Output signals	5 signals: ERROR, OR, BUSY, READY, STGOUT/SHTOUT								
	RS-232C	2 signals: Transmission data, Reception data								
Usage environment	Ambient temperature range	Operating: -10 to +70°C, Storage: -25 to +85°C (with no icing or condensation)								
	Ambient humidity range	Operating & Storage: 0 to 93%RH (With no condensation)								
	Ambient atmosphere	No corrosive gases								
	Vibration tolerance	Oscillation frequency: 10 to 150 Hz, Half amplitude: 0.35 mm, Vibration direction: X/Y/Z, Sweep time: 8 minute/count, Sweep count: 10 times								
	Shock resistance	Impact force: 150 m/s ² , Test direction: 6 directions, three time each (up/down, front/behind, left/right)								
Material	Mold part: Nylon, PVC, Sheath part: PVC									
Weight	Approx. 250 g		Approx. 370 g		Approx. 590 g		Approx. 1,170 g		Approx. 2,310 g	

Super Bending Resistance Cables

Item	FHV-VDBX2 5M	FHV-VDLBX2 5M	FHV-VDBX2 10M	FHV-VDLBX2 10M
Cable length	5 m		10 m	
Connector type	Straight connector		Right angle connector	
Cable type	Super bending resistance cable			
Size	Power line	AWG19		
	Others	AWG26		
Outer diameter	7.2+0.7 mm dia.			
Min. bending radius	44 mm			
Input/Output signals	Input signals	1 signal: STEP		
	Output signals	3 signals: OR, READY, STGOUT/SHTOUT		
Usage environment	Ambient temperature range	Operating: -10 to +70°C, Storage: -25 to +85°C (with no icing or condensation)		
	Ambient humidity range	Operating & Storage: 0 to 93%RH (With no condensation)		
	Ambient atmosphere	No corrosive gases		
	Vibration tolerance	Oscillation frequency: 10 to 150 Hz, Half amplitude: 0.35 mm, Vibration direction: X/Y/Z, Sweep time: 8 minute/count, Sweep count: 10 times		
	Shock resistance	Impact force: 150 m/s ² , Test direction: 6 directions, three time each (up/down, front/behind, left/right)		
Material	Mold part: Nylon, PVC, Sheath part: PVC			
Weight	Approx. 420 g		Approx. 790 g	

Ethernet Cables

Bending Resistance Cables

Item	FHV-VNB2 2M	FHV-VNLB2 2M	FHV-VNB2 3M	FHV-VNLB2 3M	FHV-VNB2 5M	FHV-VNLB2 5M	FHV-VNB2 10M	FHV-VNLB2 10M	FHV-VNB2 20M	FHV-VNLB2 20M
Cable length	2 m		3 m		5 m		10 m		20 m	
Connector type	Straight connector	Rightangle connector	Straight connector	Rightangle connector	Straight connector	Rightangle connector	Straight connector	Rightangle connector	Straight connector	Rightangle connector
Cable type	Bending resistance cable									
Outer diameter	6.7±0.3 mm dia.									
Min. bending radius	Fixed use: 35 mm, Sliding use: 50 mm									
Usage environment	Ambient temperature range	Operating: -10 to +70°C, Storage: -25 to +85°C (with no icing or condensation)								
	Ambient humidity range	Operating & Storage: 0 to 93%RH (With no condensation)								
	Ambient atmosphere	No corrosive gases								
	Vibration tolerance	Oscillation frequency: 10 to 150 Hz, Half amplitude: 0.35 mm, Vibration direction: X/Y/Z, Sweep time: 8 minute/count, Sweep count: 10 times								
	Shock resistance	Impact force: 150 m/s ² , Test direction: 6 directions, three time each (up/down, front/behind, left/right)								
Material	Mold part: PVC, Sheath part: PVC									
Weight	Approx. 140 g		Approx. 200 g		Approx. 310 g		Approx. 590 g		Approx. 1,150 g	

Super Bending Resistance Cables

Item	FHV-VNBX2 5M	FHV-VNLBX2 5M	FHV-VNBX2 10M	FHV-VNLBX2 10M
Cable length	5 m		10 m	
Connector type	Straight connector		Right angle connector	
Cable type	Super bending resistance cable			
Outer diameter	6.6±0.7 mm dia.			
Min. bending radius	40 mm			
Usage environment	Ambient temperature range	Operating: -10 to +70°C, Storage: -25 to +85°C (with no icing or condensation)		
	Ambient humidity range	Operating & Storage: 0 to 93%RH (With no condensation)		
	Ambient atmosphere	No corrosive gases		
	Vibration tolerance	Oscillation frequency: 10 to 150 Hz, Half amplitude: 0.35 mm, Vibration direction: X/Y/Z, Sweep time: 8 minute/count, Sweep count: 10 times		
	Shock resistance	Impact force: 150 m/s ² , Test direction: 6 directions, three time each (up/down, front/behind, left/right)		
Material	Mold part: PVC, Sheath part: PVC			
Weight	Approx. 390 g		Approx. 730 g	

External Light Junction Cables for MDMC Light

Item	FHV-VFLX-GD	
Cable length	0.1 m	
Outer diameter	4.0±0.1 mm dia.	
Min. bending radius	15 mm	
Usage environment	Ambient temperature range	Operating: 0 to +40°C, Storage: -25 to +65°C (with no icing or condensation)
	Ambient humidity range	Operating & Storage: 0 to 93%RH (With no condensation)
	Ambient atmosphere	No corrosive gases
	Vibration tolerance	Oscillation frequency: 10 to 150 Hz, Half amplitude: 0.35 mm, Vibration direction: X/Y/Z, Sweep time: 8 minute/count, Sweep count: 10 times
	Shock resistance	Impact force: 150 m/s ² , Test direction: 6 directions, three time each (up/down, front/behind, left/right)
Material	Shell part: Zinc alloy and Brass, Sheath part: Heat-resistant oilproof polyvinyl chloride	
Weight	Approx. 30 g	

Smart Camera Data Unit Cable Bending Resistance Cables

Item	FHV-VUB2 2M	FHV-VULB2 2M	FHV-VUB2 3M	FHV-VULB2 3M	FHV-VUB2 5M	FHV-VULB2 5M	FHV-VUB2 10M	FHV-VULB2 10M	FHV-VUB2 20M	FHV-VULB2 20M
Cable length	2 m		3 m		5 m		10 m		20 m	
Connector type	Straight connector	Right angle connector	Straight connector	Right angle connector	Straight connector	Right angle connector	Straight connector	Right angle connector	Straight connector	Right angle connector
Cable type	Bending resistance cable									
Outer diameter	7.8±0.3 mm dia.									
Min. bending radius	Fixed use: 40 mm, Sliding use: 65 mm									
Usage environment	Ambient temperature range	Operating: -10 to +70°C, Storage: -25 to +85°C (with no icing or condensation)								
	Ambient humidity range	Operating & Storage: 0 to 93%RH (With no condensation)								
	Ambient atmosphere	No corrosive gases								
	Vibration tolerance	Oscillation frequency: 10 to 150 Hz, Half amplitude: 0.35 mm, Vibration direction: X/Y/Z, Sweep time: 8 minute/count, Sweep count: 10 times								
	Shock resistance	Impact force: 150 m/s ² , Test direction: 6 directions, three time each (up/down, front/behind, left/right)								
Material	Mold part: PVC, Sheath part: PVC									
Weight	Approx. 200 g		Approx. 290 g		Approx. 470 g		Approx. 900 g		Approx. 1,780 g	

Super Bending Resistance Cables

Item	FHV-VUBX2 5M	FHV-VULBX2 5M	FHV-VUBX2 10M	FHV-VULBX2 10M
Cable length	5 m		10 m	
Connector type	Straight connector		Right angle connector	
Cable type	Super bending resistance cable			
Outer diameter	7.5+0.6 mm dia.			
Min. bending radius	47 mm			
Usage environment	Ambient temperature range	Operating: -10 to +70°C, Storage: -25 to +85°C (with no icing or condensation)		
	Ambient humidity range	Operating & Storage: 0 to 93%RH (With no condensation)		
	Ambient atmosphere	No corrosive gases		
	Vibration tolerance	Oscillation frequency: 10 to 150 Hz, Half amplitude: 0.35 mm, Vibration direction: X/Y/Z, Sweep time: 8 minute/count, Sweep count: 10 times		
	Shock resistance	Impact force: 150 m/s ² , Test direction: 6 directions, three time each (up/down, front/behind, left/right)		
Material	Mold part: PVC, Sheath part: PVC			
Weight	Approx. 490 g		Approx. 920 g	

Touch panel monitor

OMRON Model

Model		NYE2A-20F11-15WR1200	NYE2A-20F11-15WR1300	NYE2A-20F11-12WR1200	NYE2A-20F11-12WR1300
LCD	Display device	TFT LCD			
	Screen size	15.4 inches		12.1 inches	
	Resolution	1,280 × 800			
	Backlight Life	50,000 hours min.			
	Touch panel	Analog resistive membrane type			
External Interfaces	Ethernet ports	10/100/1000Mbps Ethernet × 2			
	USB ports	USB 2.0 × 2, USB 3.0 × 1			
	Serial port	RS-232C × 1			
	CFast Card slot	1			
Power Consumption	Allowable power supply voltage range	19.2 to 28.8 VDC (24 VDC ±20%)			
	Power consumption	60 W			
Environment	Ambient temperature	Operating: 0 to +50°C Storage: -20 to +60°C (with no icing or condensation)			
	Ambient humidity	10 to 90% (With no condensation)			
	Vibration resistance (during operation)	Conforms to IEC 60068-2-6. 5 to 8.4 Hz with 3.5 mm half amplitude and 8.4 to 150 Hz with 9.8 m/s ² for 100 minutes each in X, Y, and Z directions			
	Shock resistance (during operation)	Conforms to IEC 60028-2-27. 147 m/s ² 3 times each in X, Y, and Z directions			
Frame color	Black	Silver *	Black	Silver *	
Dimensions	420 × 291 × 69 mm			340 × 244 × 69 mm	
Weight	Approx. 3.2 kg			Approx. 2.4 kg	
Front Panel Protection	IP65				
Mounting	Panel mount, VESA mount				
Accessories	Instruction sheet, Power and IO connector, Mounting Clamps				

* The silver color is a European area limited model.

Advantech Model

Model		PPC-310-OMR
LCD	Display Type	10.4" TFT LCD (LED backlight)
	Resolution	1,024 × 768
	Luminance	350 cd/m ²
	Contrast Ratio	1,000
	Backlight Lifetime	30,000 hr (min.)
	Touch Type	Capacitive
External Interface	Ethernet	10/100/1,000/2,500 Mbps Ethernet × 2
	USB I/F	USB 2.0 × 2, USB 3.0 × 2, TypeC × 1
Power Consumption	Input Voltage	12 to 30 VDC
	Power Consumption	35 W
Environment	Ambient Temperature Range	Operating: 0 to 50°C Storage: -20 to 60°C
	Ambient Humidity Range	10% to 95% at 40°C (With no condensation)
	Vibration	Operating Random Vibration Test 5 to 500 Hz, 2 Grms, follow IEC 60068-2-64
	Shock	Operating 10 G peak acceleration (11 ms duration), follow IEC 60068-2-27
	EMC	CE, FCC Class B, BSMI, UKCA, VCCI
	Safety	CB, CCC, UL, UKCA
Dimensions	272 × 217 × 50 mm	
Weight	3.1 kg	
Front Panel Protection	IP66 compliant	
Mounting	Panel mount, VESA mount, Wall mount	
Accessories	Instruction sheet, Connector for power supply, Mounting screws and brackets for panel mount	

FHV7 Series

EtherCAT Communications Specifications

Item	Specifications	
Communications standard	IEC61158 Type 12	
Physical layer	100 BASE-TX (IEEE802.3)	
Modulation	Base band	
Baud rate	100 Mbps	
Topology	Depends on the specifications of the EtherCAT master.	
Transmission Media	Twisted-pair cable of category 5 or higher (double-shielded straight cable with aluminum tape and braiding)	
Transmission Distance	Distance between nodes: 100 m or less	
Node address setting	00 to 99	
External connection terminals	RJ45 × 2 (shielded) IN: EtherCAT input data, OUT: EtherCAT output data	
Send/receive PDO data sizes	Input	56 to 280 bytes/line (including input data, status, and unused areas) Up to 8 lines can be set. *
	Output	28 bytes/line (including output data and unused areas) Up to 8 lines can be set. *
Mailbox data size	Input	512 bytes
	Output	512 bytes
Mailbox	Emergency messages, SDO requests, and SDO information	
Refreshing methods	I/O-synchronized refreshing (DC)	

* This depends on the upper limit of the master.

Version Information

FHV7 Series and Programming Devices

Use the latest version of Sysmac Studio Standard Edition/Vision Edition.

Version of FHV7 Series	Corresponding version of Sysmac Studio Standard Edition/Vision Edition
Version 6.55/6.60	Supported by version 1.59 * or higher.
Version 6.51 or higher	Supported by version 1.53 or higher.
Version 6.41 or higher	Supported by version 1.44 or higher.
Version 6.30 or higher	Supported by version 1.29 or higher.

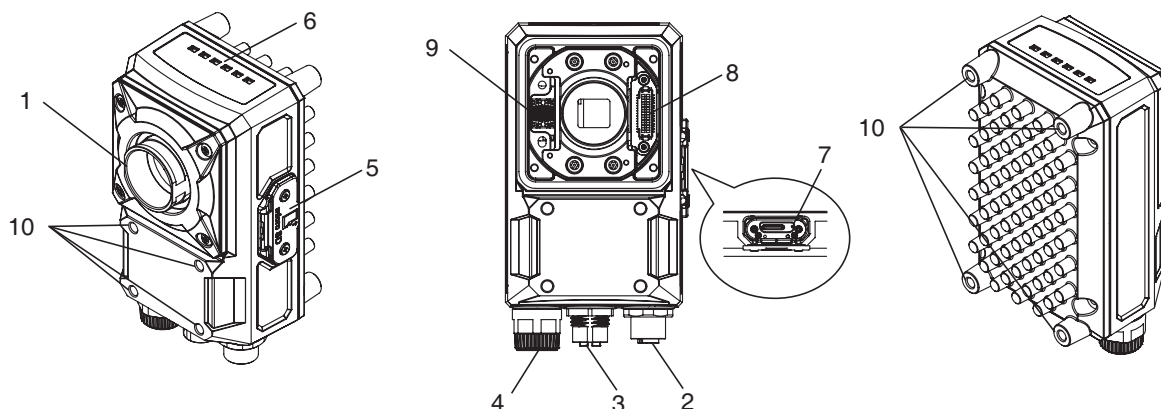
* Sysmac Studio Version 1.59 will be supported soon.

Recommended Operational Environment for Remote Operation Tool

Name	Description
CPU	Intel Pentium Processor (SSE2 or higher)
OS	<ul style="list-style-type: none"> • Windows 7 Professional (32/64-bit) or Enterprise (32/64-bit) or Ultimate (32/64-bit) • Windows 10 Pro (32/64-bit) or Enterprise (32/64-bit) • Windows 11 Pro (64bit) or Enterprise (64bit)
Memory	2GB (3GB or more recommended)
Hard disk space	2GB or more
Display	Resolution: 1280 x 1240 dots or more Color: True Color (32-bit)
Network	10BASE-T (100BASE-TX recommended)

Using the FH/FHV Launcher requires Microsoft .NET Framework 3.5 installed.

Parts and Names



No.	Name	Description	
1	Imaging unit	Captures images.	
2	Connector for I/O cable/Smart camera data unit cable	Use this connector when connecting the smart camera with its power supply or an external device using an I/O cable. Moreover, use this when connecting the smart camera with its data unit using its data unit cable. Dedicated I/O cable: FHV-VD□ Dedicated smart camera data unit cable: FHV-VU□	
3	Connector for Ethernet cable	Use this connector when connecting the smart camera with a personal computer and so on using an Ethernet cable. Dedicated Ethernet cable: FHV-VN□□	
4	Connector for external lighting	Use this connector when connecting an external lighting and the external lighting controller. Connectable external lighting controller: FL-TCC□ and FLV-TCC□ Connectable external light: FL-MD□MC	
5	Connector to attach microSD card	Use this connector to attach a microSD card. Do not extract/insert the microSD card during processing. Otherwise, measurement time may be influenced or data may be broken.	
6	Operation indicator	PWR (Green)	Lights while power is supplied.
		RUN (Green)	Lights when switching to the layout in which the RUN signal output is set ON.
		LINK (Yellow)	Lights when connected with Ethernet equipment and blinks during communication.
		BUSY (Green)	Lights while processing is in progress.
		OR (Yellow)	Lights when the overall judgment output signal is ON.
7		ERR (Red)	Lights when an error occurs.
		SD ACCESS (Yellow)	Lights when accessing to the microSD card.
8	Connector for lighting module (White)	Use this connector when mounting the lighting module.	
9	Connector for lens module (Black)	Use this connector when mounting the lens module.	
10	Mounting screw holes	Recommended tightening torque: 2.3N·m	

Processing Items

Group	Icon	Processing Item	
Measurement		Search	Used to identify the shapes and calculate the position of measurement objects.
		Search II	Even if the Search processing item cannot detect a model, the Search II can stably detect it by creating the optimal model according to the size and rotation of the measurement object.
		Flexible Search	Recognizing the shapes of workpieces with variation and detecting their positions.
		Sensitive Search	Search a small difference by dividing the search model in detail, and calculating the correlation.
		Shape Search III	Robust detection of positions is possible at high-speed and with high precision incorporating environmental fluctuations, such as differences in individual shapes of the workpieces, pose fluctuations, noise superimposition and shielding.
		Classification	Used when various kinds of products on the assembly line need to be sorted and identified.
		Edge Position	Measure position of measurement objects according to the color change in measurement area.
		Edge Pitch	Detect edges by color change in measurement area. Used for calculating number of pins of IC and connectors.

Group	Icon	Processing Item	
Measurement		Scan Edge Position	Measure peak/bottom edge position of workpieces according to the color change in separated measurement area.
		Scan Edge Width	Measure max/min/average width of workpieces according to the color change in separated measurement area.
		Circular Scan Edge Position	Measure center axis, diameter and radius of circular workpieces.
		Circular Scan Edge Width	Measure center axis, width and thickness of ring workpieces.
		Intersection	Calculate approximate lines from the edge information on two sides of a square workpiece to measure the angle formed at the intersection of the two lines.
		Color Data	Used for detecting presence and mixed varieties of products by using color average and deviation.
		Gravity and Area	Used to measure area, center of gravity of workpieces by extracting the color to be measured.
		Labeling	Used to measure number, area and gravity of workpieces by extracting registered color.
		Precise Defect	Check the defect on the object. Parameters for extraction defect can be set precisely.

Group	Icon	Processing Item	
Measurement		Fine Matching Difference can be detected by overlapping and comparing (matching) registered fine images with input images.	
		Character Inspect Recognize character according correlation search with model image registered in [Model Dictionary].	
		Date Verification Reading character string is verified with internal date.	
		Model Dictionary Register character pattern as dictionary. The pattern is used in [Character Inspection].	
		2DCode II *1 Recognize 2D code and display where the code quality is poor.	
		2DCode *2 Recognize 2D code and display where the code quality is poor.	
		Barcode *3 Recognize barcode, verify and output decoded characters.	
		OCR Recognize and read characters in images as character information.	
		OCR User Dictionary Register dictionary data to use for OCR.	
		Glue Bead Inspection You can inspect coating of a specified color for gaps or runoffs along the coating path.	
Input Image		Camera Image Input FHV To input images from cameras. And set up the conditions to input images from cameras. (For FHV only)	
		Camera Image Input HDR Create high-dynamic range images by acquiring several images with different conditions.	
		Photometric Stereo Image Input Capture images under different illumination directions using a photometric stereo light.	
		Measurement Image Switching To switch the images used for measurement. Not input images from camera again.	
		Multi-trigger Imaging The Multi-trigger Imaging processing item captures multiple images at user-defined timings and executes parallel measurement for each image. Insert the Multi-trigger Imaging to the top of the flow.	
		Multi-trigger Imaging Task The Multi-trigger Imaging processing item captures multiple images at user-defined timings and executes parallel measurement for each image. Insert this processing item to the top of the processing which requires imaging for multiple times.	
Compensate image		Position Compensation Used when positions are differed. Correct measurement is performed by correcting position of input images.	
		Filtering Used for processing images input from cameras in order to make them easier to be measured.	
		Background Suppression To enhance contrast of images by extracting color in specified brightness.	
		Brightness Correct Filter Track brightness change of entire screen and remove gradual brightness change such as uneven brightness.	
		Color Gray Filter Color image is converted into monochrome images to emphasize specific color.	
		Extract Color Filter Convert color image to color extracted image or binary image.	
		Anti Color Shading To remove the irregular color/pattern by uniformizing max.2 specified colors.	
		Stripes Removal Filter II Remove the background pattern of vertical, horizontal and diagonal stripes.	
		Polar Transformation Rectify the image by polar transformation. Useful for OCR or pattern inspection printed on circle.	
		Trapezoidal Correction Rectify the trapezoidal deformed image.	
		Image Subtraction The registered model image and measurement image are compared and only the different pixels are extracted and converted to an image.	
		Advanced filter Process the images acquired from cameras in order to make them easier to measure. This processing item consolidates existing image conversion filtering into one processing item and adds extra functions.	
	Support measurement		Calculation Used when using the judge results and measured values of Procltem which are registered in processing units.
			Line Regression Used for calculating regression line from plural measurement coordinate.
		Circle Regression Used for calculating regression circle from plural measurement coordinate.	
		Precise Calibration Used for calibration corresponding to trapezoidal distortion and lens distortion.	
		Trend Monitor Used for displaying the information about results on the monitor, facilitating to avoid NG and analyze causes.	
		Image Logging Used for saving the measurement images to the memory and USB memory.	
		Image Conversion Logging Used for saving the measurement images in JPEG and BMP format.	
		Elapsed Time Used for calculating the elapsed time since the measurement trigger input.	
		Wait Processing is stopped only at the set time. The stand-by time is set by the unit of [ms].	

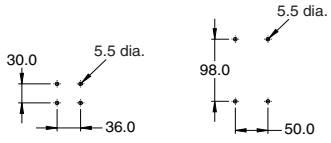
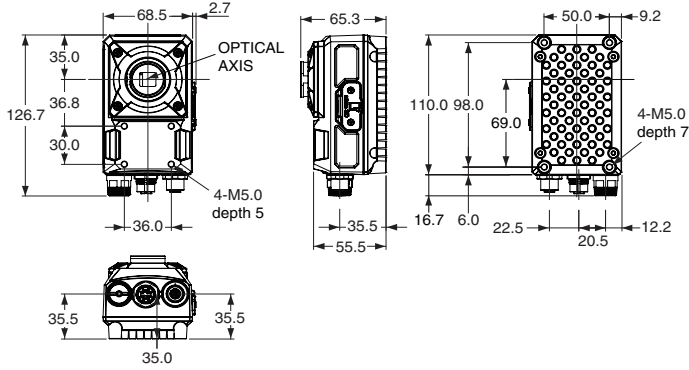
Group	Icon	Processing Item	
Support measurement		Parallelize A part of the measurement flow is divided into two or more tasks and processed in parallel to shorten the measurement time. This processing item is placed at the top of processing to be performed in parallel.	
		Parallelize Task A part of the measurement flow is divided into two or more tasks and processed in parallel to shorten the measurement time. This processing item is placed immediately before processing to be performed in parallel between Parallelize and Parallelize End.	
		Statistics Used when you need to calculate an average of multiple measurement results.	
		Reference Calib Data Calibration data and distortion compensation data held under other processing items can be referenced.	
		Position Data Calculation The specified position angle is calculated from the measured positions.	
		Stage Data Sets and stores data related to stages.	
		Robot Data Sets and stores data related to robots.	
		Vision Master Calibration This processing item automatically calculates the entire axis movement amount of the control equipment necessary for calibration.	
		Convert Position Data The position angle after the specified axis movement is calculated.	
		Movement Single Position The axis movement that is required to match the measured position angle to the reference position angle is calculated.	
	Movement Multi Points The axis movements that are required to match the measured position angles to the corresponding reference position angles are calculated.		
	Camera Calibration By setting the camera calibration, the measurement result can be converted and output as actual dimensions.		
	Scene The specified scene is copied to the current scene.		
	System Information Obtain system information (e.g., memory and disk space and I/O input signal status) of the Sensor Controller.		
Branch		End This Procltem must be set up as the last processing unit of a branch.	
		Conditional Execution (If) The measurement flow is divided according to the comparison result obtained using the set expressions and conditions.	
		Conditional Execution (Else) Insert between the Conditional Execution (If) processing item and End If processing item. The measurement flow is divided according to the comparison result obtained using the set expressions and conditions.	
		Loop The set processes are repeated until the loop count reaches the specified number, and then the next process starts.	
		Loop Suspension Insert between the Loop processing item and End Loop processing item. Used to stop the loop before the loop count reaches the specified number.	
		Select Execution (Select) Used to set conditions. The measurement flow is divided according to the comparison result obtained using the conditions given by expressions.	
		Select Execution (Case) Used to make a judgment. The measurement flow is divided according to the comparison result obtained using the conditions given by expressions.	
	Output result		Result Output (I/O) Output data to the external devices such as a programmable controller or a PC via PLC Link, Fieldbus interface (EtherCAT *4, EtherNet/IP (other than message communication), PROFINET).
			Result Output (Message) Output data to the external devices such as a programmable controller or a PC with non-procedure mode via Ethernet or RS-232C. This processing item allows you to save the logging data as a ".csv" file into the Sensor Controller as well.
			Result output (Parallel I/O) Output measurement results and/or judgment results to the external devices such as a programmable controller or a PC via Parallel interface *5.
		Result Display Used for displaying the texts or the figures in the camera image.	
Display result		Display Last NG Image Display the last NG images.	
		Display Image Hold Processing item to retain images, including measurement results.	

- *1. 2D Codes that can be read : Data Matrix (ECC200)
- *2. 2D Codes that can be read : Data Matrix (ECC200), QR Code
- *3. Bar Codes that can be read : JAN/EAN/UPC (including add-on codes), Code 39, Codabar (NW-7), ITF (Interleaved 2 of 5), Code 93, Code 128, GS1-128, GS1 DataBar (RSS-14 / RSS Limited / RSS Expanded), Pharmacode
- *4. The FHV-SDU30 EtherCAT Interface is required for EtherCAT connection.
- *5. The FHV-SDU10 Parallel Interface is required for Parallel I/O connection.

Dimensions

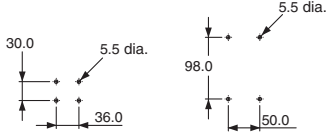
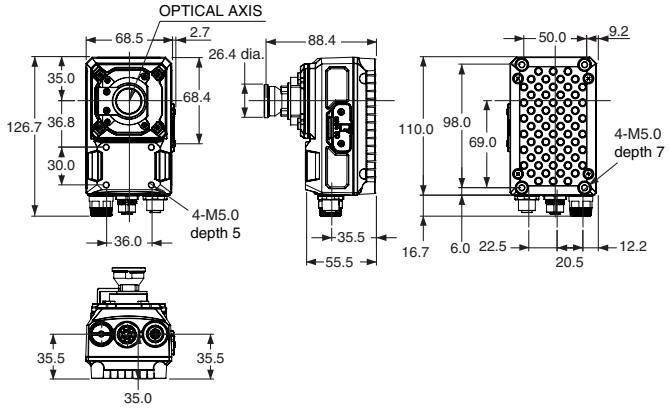
Smart Cameras

C Mount Models
FHV7X-□□□□□-C



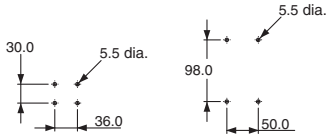
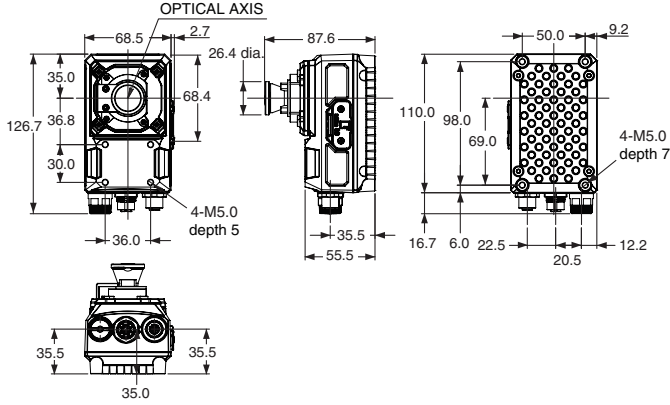
Mounting screw holes
(The tolerance: ± 0.1 mm)
Recommend tightening torque: 2.3N·m

All-in-one Models with Lens Module
High-speed Lens Modules
FHV7X-□□□□□-H06



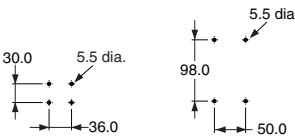
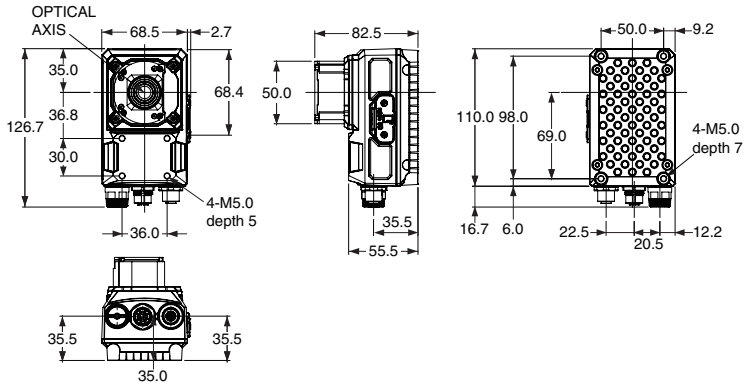
Mounting screw holes
(The tolerance: ± 0.1 mm)
Recommend tightening torque: 2.3N·m

FHV7X-□□□□□-H19



Mounting screw holes
(The tolerance: ± 0.1 mm)
Recommend tightening torque: 2.3N·m

Standard Lens Modules
FHV7X-□□□□□-S□□

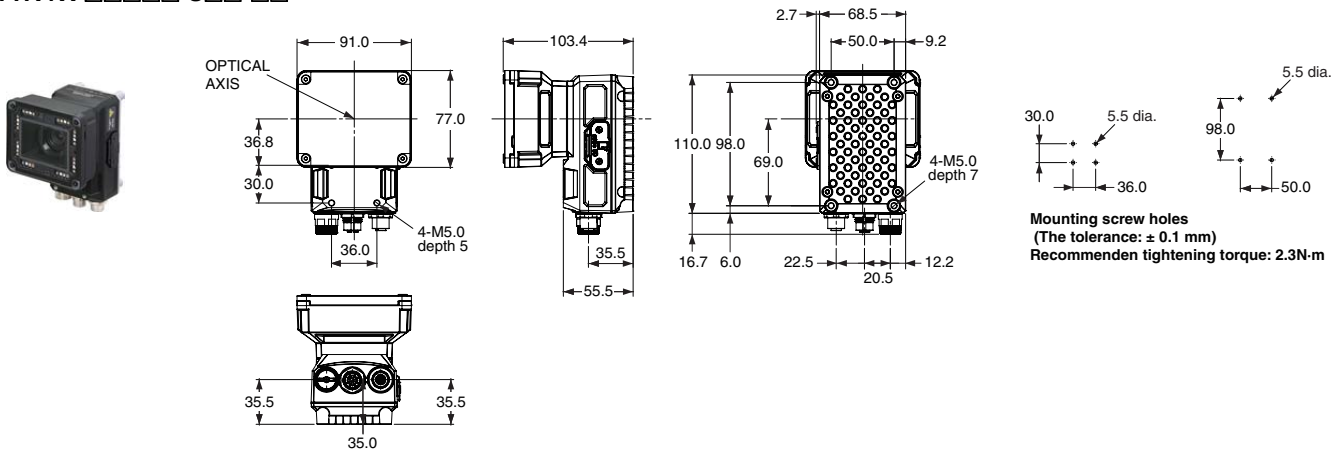


Mounting screw holes
(The tolerance: ± 0.1 mm)
Recommend tightening torque: 2.3N·m

FHV7 Series

All-in-one Models with Lens and Lighting Modules

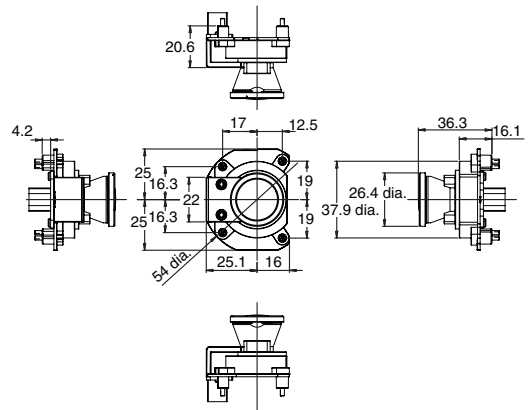
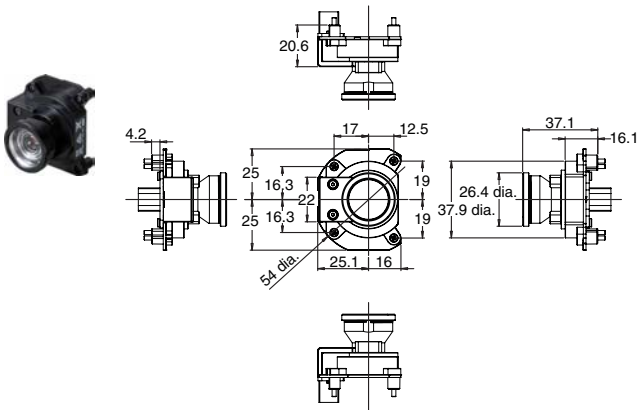
FHV7X-□□□□□-H□□-□□/
FHV7X-□□□□□-S□□-□□



Lens Modules

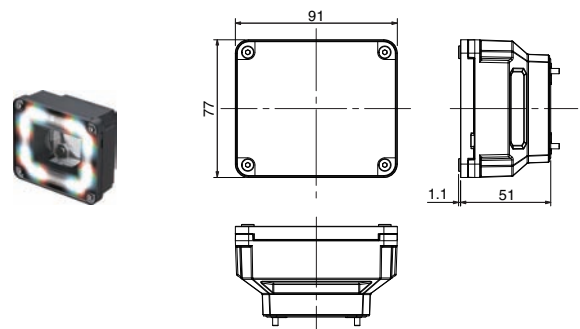
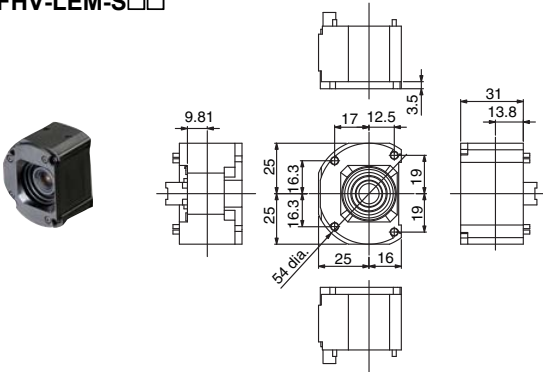
High-speed Lens Modules
FHV-LEM-H06

FHV-LEM-H19



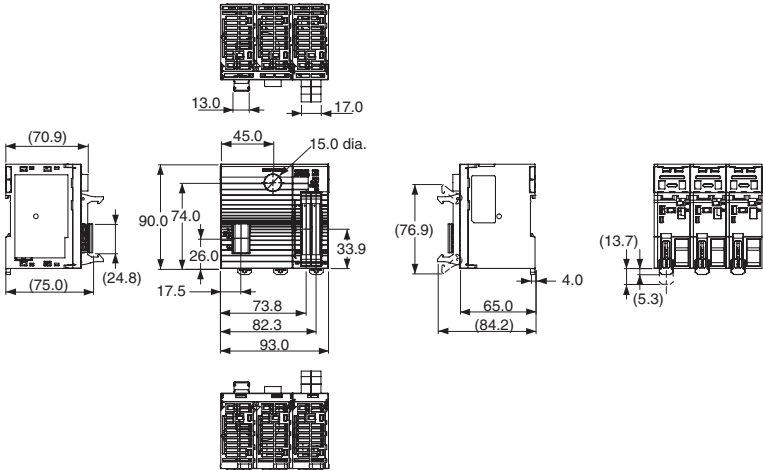
Standard Lens Modules
FHV-LEM-S□□

Lighting Modules
FHV-LTM-□□

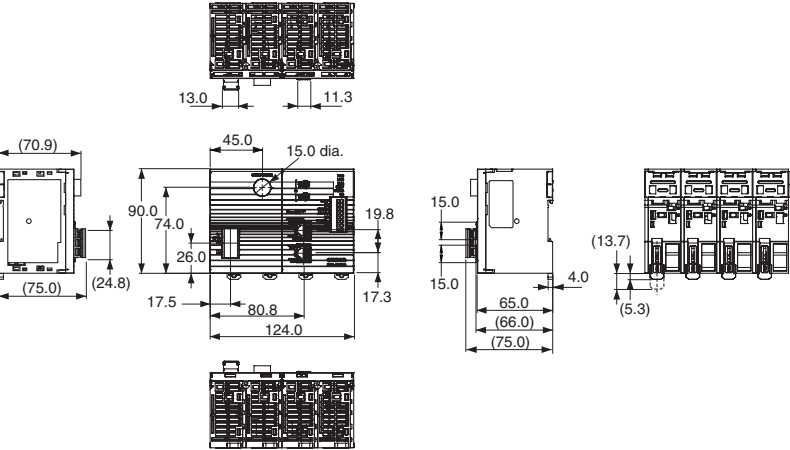


Smart Camera Data Unit

FHV-SDU10

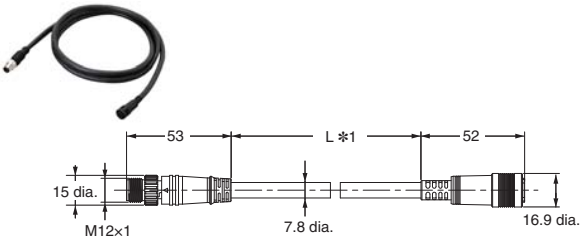


FHV-SDU30

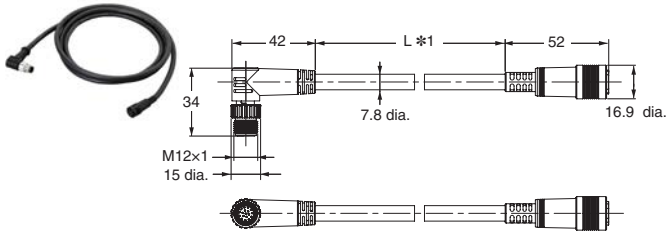


Smart Camera Data Unit Cables

Bending Resistance Cables (Straight)
FHV-VUB2 □M

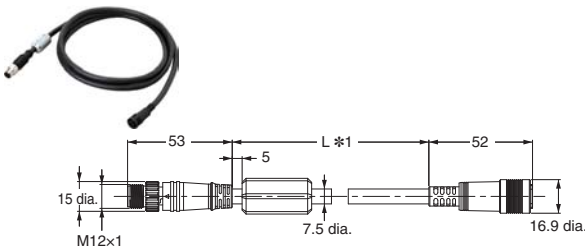


Bending Resistance Cables (Right angle)
FHV-VULB2 □M

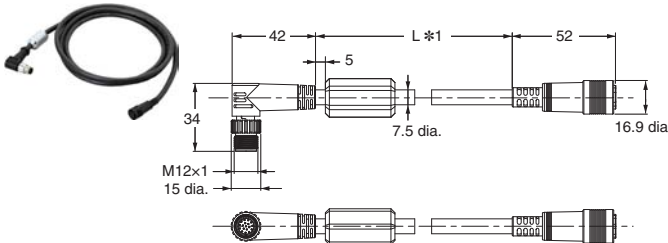


* Cable is available in 2m/3m/5m/10m/20m.

Super Bending Resistance Cables (Straight)
FHV-VUBX2 □M



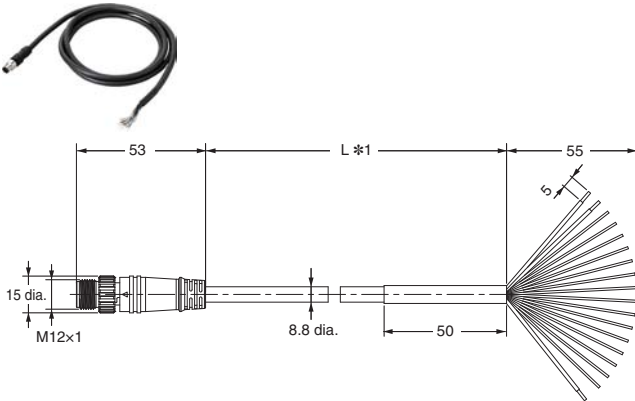
Super Bending Resistance Cables (Right angle)
FHV-VULBX2 □M



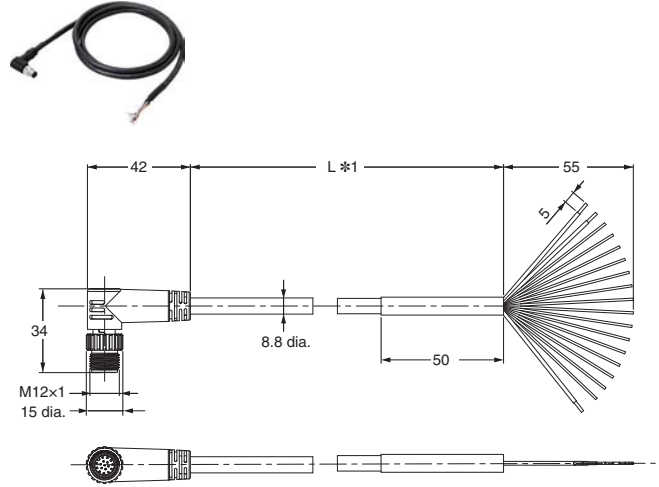
* Cable is available in 5m/10m.

Cables

I/O cable (Bend resistant, straight)
FHV-VDB2 □M

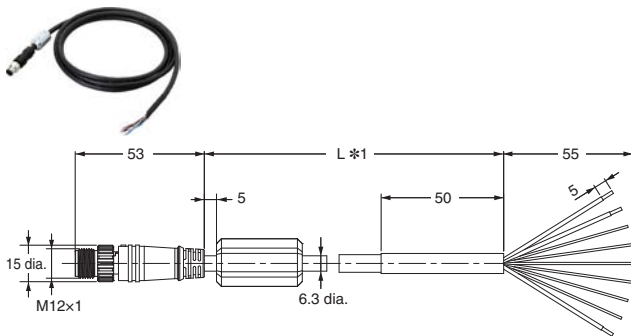


I/O cable (Bend resistant, right angle)
FHV-VDLB2 □M

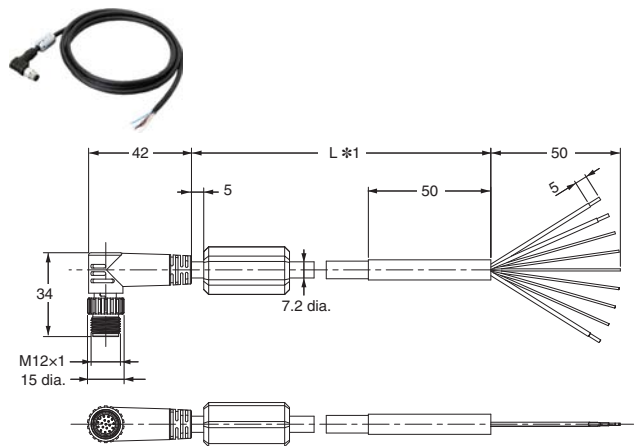


* Cable is available in 2m/3m/5m/10m/20m.

I/O cable (Super bend resistant, straight)
FHV-VDBX2 □M

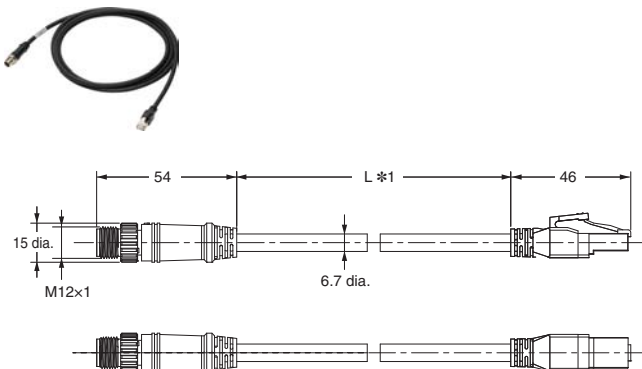


I/O cable (Super bend resistant, right angle)
FHV-VDLBX2 □M

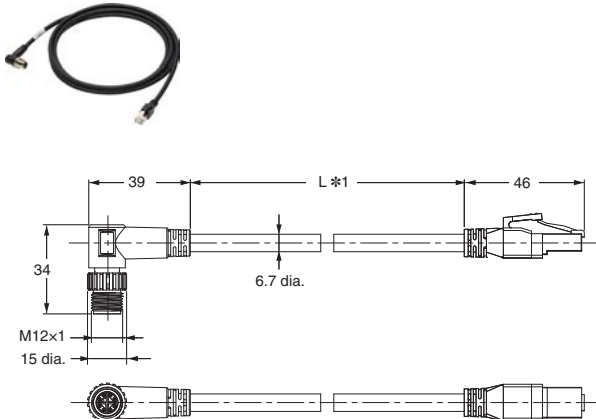


* Cable is available in 5m/10m.

Ethernet cable (Bend resistant, straight)
FHV-VNB2 □M

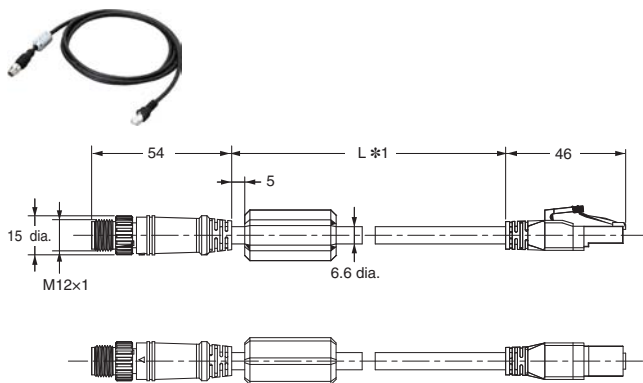


Ethernet cable (Bend resistant, right angle)
FHV-VNLB2 □M

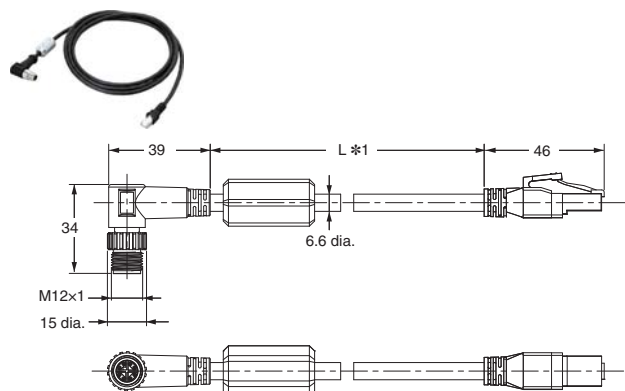


* Cable is available in 2m/3m/5m/10m/20m.

Ethernet cable (Super bend resistant, straight)
FHV-VNBX2 □M

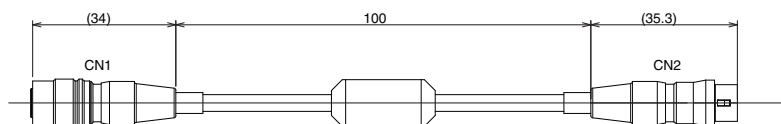


Ethernet cable (Super bend resistant, right angle)
FHV-VNLBX2 □M



* Cable is available in 5m/10m.

External Light Junction Cables for MDMC Light
FHV-VFLX-GD



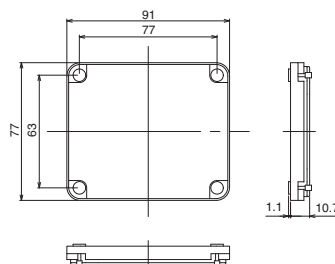
Optical Filters

Polarization Filter, Diffusion Filter
FHV-XDF/-XPL/-XPL-IR



Light Cover

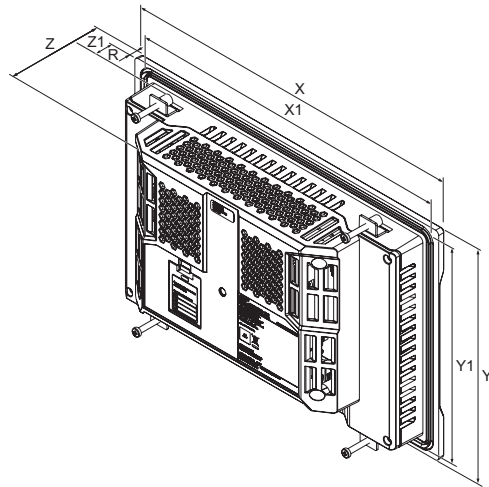
FHV-XCV



FHV7 Series

Touch Panel Monitor

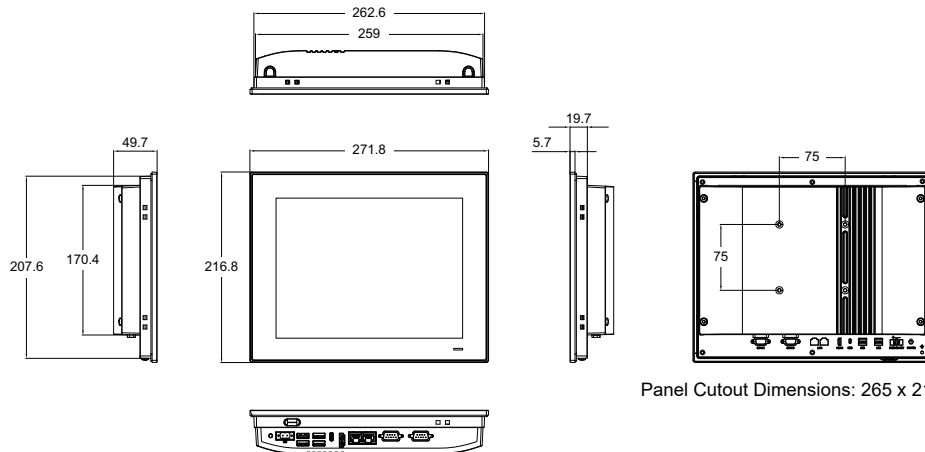
OMRON Model
 NYE2A-20F11-□□WR1□00



Screen size	Dimensions				Panel cutout dimensions		
	X	Y	Z	R	X1	Y1	Z1 *1
15.4 inch	420 mm	291 mm	69 mm	6.0 mm	392 ⁻⁰ / ₊₁ mm	268 ⁻⁰ / ₊₁ mm	1.6 to 6.0 mm
12.1 inch	340 mm	244 mm	69 mm	6.0 mm	310 ⁻⁰ / ₊₁ mm	221 ⁻⁰ / ₊₁ mm	

*1. The minimum panel thickness depends on the panel material.

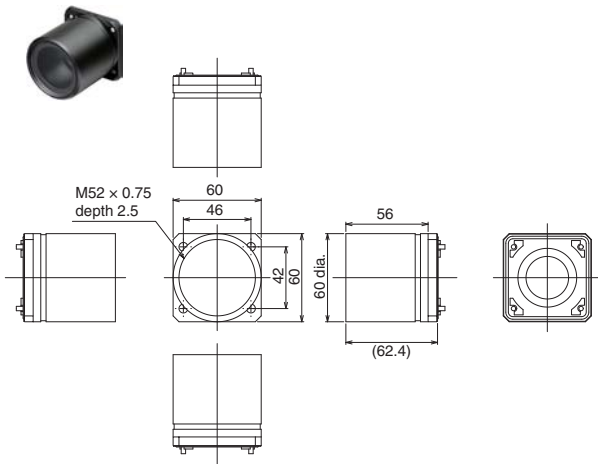
Advantech Model PPC-310-OMR



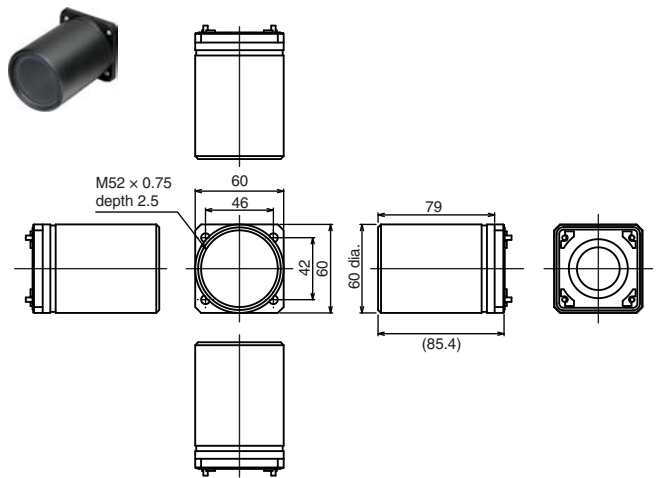
Panel Cutout Dimensions: 265 x 210 mm

Waterproof Hoods

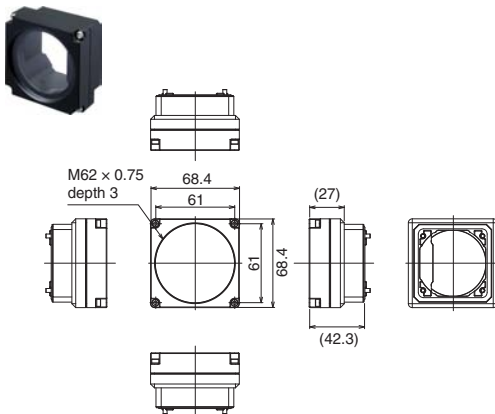
for C-mount Lens (Short)
FHV-XHD-S



for C-mount Lens (Long)
FHV-XHD-L



for Lens Modules
FHV-XHD-LEM



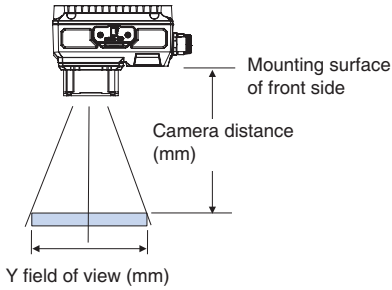
FHV7 Series

Meaning of Optical Chart

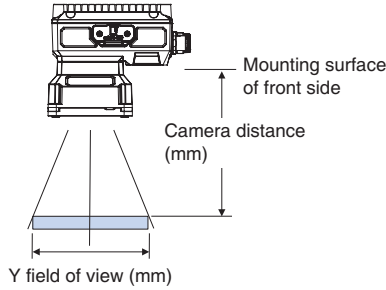
How-to View the Optical Chart

The X axis of the optical chart shows the field of vision (mm).
 The Y axis of the optical chart shows the camera installation distance (mm).
 The lengths of the fields of view given in the optical charts are the lengths of the Y axis.

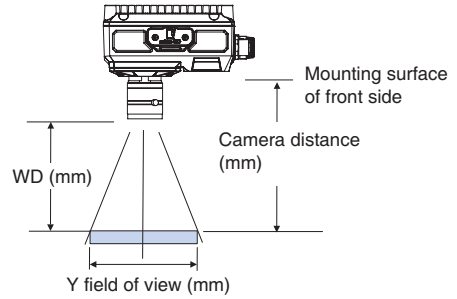
All-in-one Models
 with Lens Module
 FHV7X-□□□□□-S□□



All-in-one Models
 with Lens and Lighting Modules
 FHV7X-□□□□□-S□□-□□



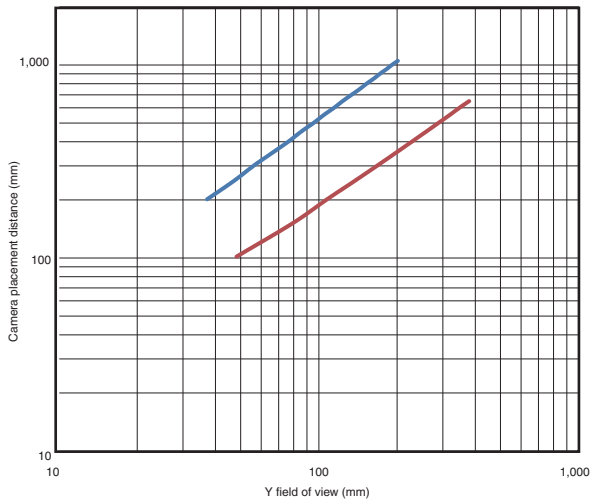
C Mount Models
 FHV7X-□□□□□-C



Lens Modules: High-speed Lens Modules (Autofocus)

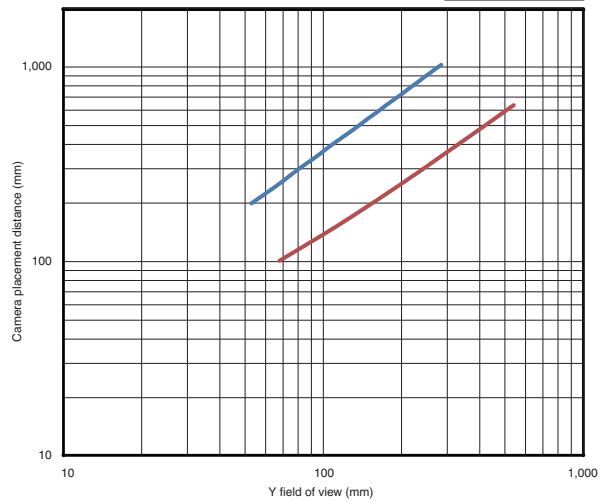
0.4 million pixels
 1.6 million pixels
 Smart Cameras:
 FHV7X-□004, FHV7X-□016
 (for Autofocus Lens FHV-LEM-S series)

— FHV-LEM-H19
 — FHV-LEM-H06



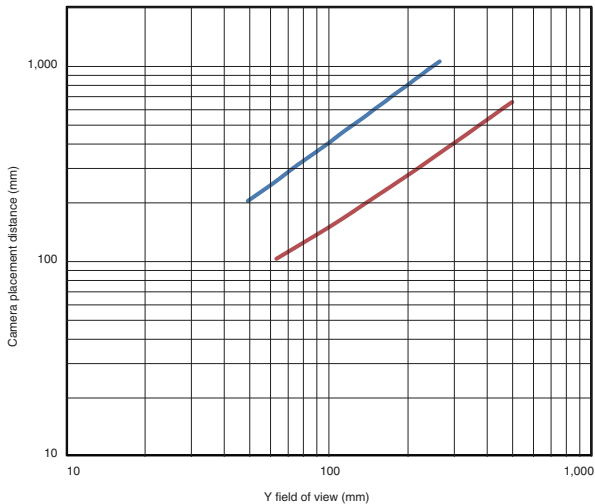
3.2 million pixels
 Smart Cameras: FHV7X-□032
 (for Autofocus Lens FHV-LEM-S series)

— FHV-LEM-H19
 — FHV-LEM-H06



6.3 million pixels
 Smart Cameras: FHV7X-□063R
 (for Autofocus Lens FHV-LEM-S series)

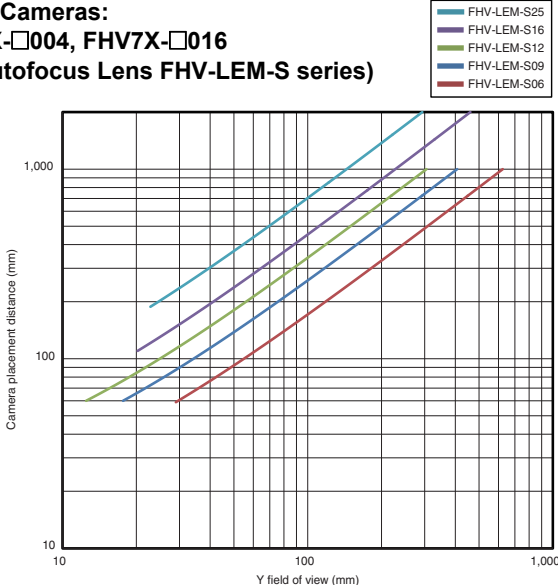
— FHV-LEM-H19
 — FHV-LEM-H06



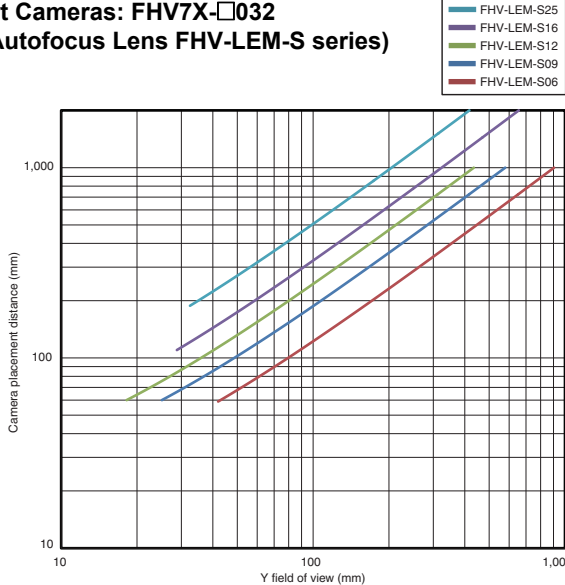
Lens Modules: Standard Lens Modules (Autofocus)

0.4 million pixels
1.6 million pixels

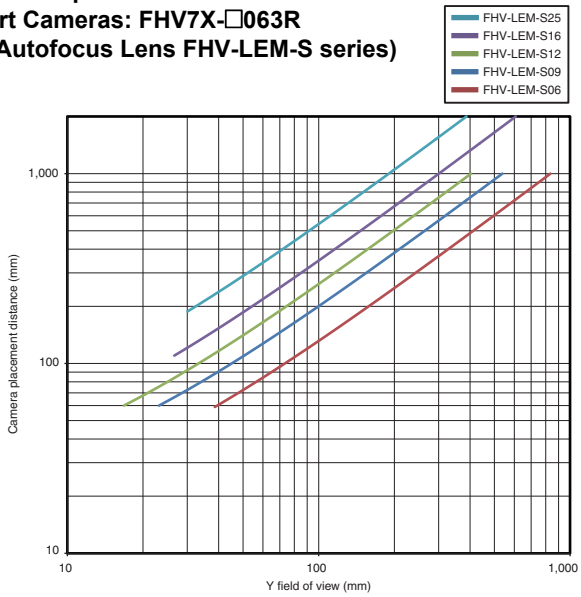
Smart Cameras: FHV7X-□004, FHV7X-□016
(for Autofocus Lens FHV-LEM-S series)



3.2 million pixels
Smart Cameras: FHV7X-□032
(for Autofocus Lens FHV-LEM-S series)



6.3 million pixels
Smart Cameras: FHV7X-□063R
(for Autofocus Lens FHV-LEM-S series)

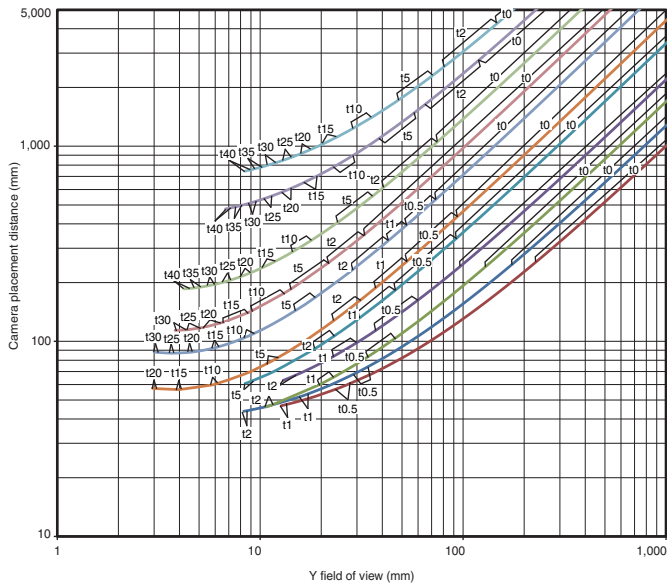


C Mount Lenses: Normal Lenses

0.4 million pixels
1.6 million pixels
Smart Cameras:
FHV7X-□004, FHV7X-□016
(for 3Z4S-LE SV-V series)



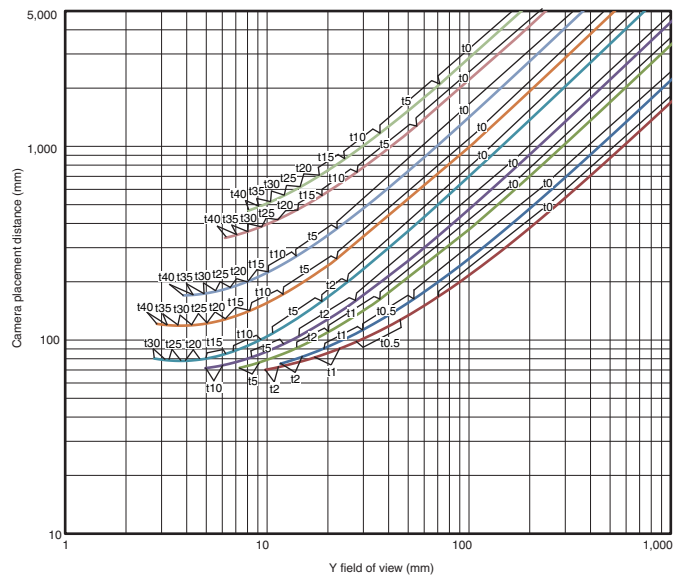
- | | |
|-----------|-----------|
| SV-10035V | SV-1214V |
| SV-7527V | SV-0813V |
| SV-5018V | SV-0614V |
| SV-3518V | SV-04514V |
| SV-2514V | SV-03514V |
| SV-1614V | |



0.4 million pixels
1.6 million pixels
Smart Cameras:
FHV7X-□004, FHV7X-□016
(for 3Z4S-LE SV-H series)



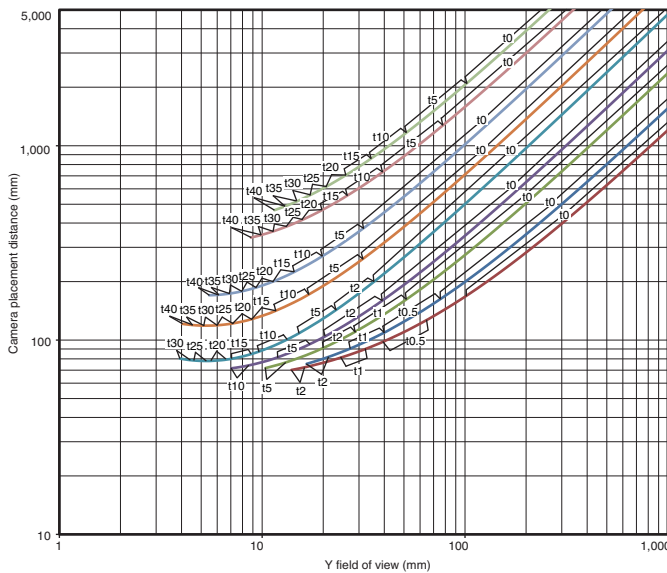
- | | |
|-----------|----------|
| SV-10028H | SV-1614H |
| SV-7525H | SV-1214H |
| SV-5014H | SV-0814H |
| SV-3514H | SV-0614H |
| SV-2514H | |



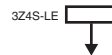
3.2 million pixels
Smart Cameras: FHV7X-□032
(for 3Z4S-LE SV-H series)



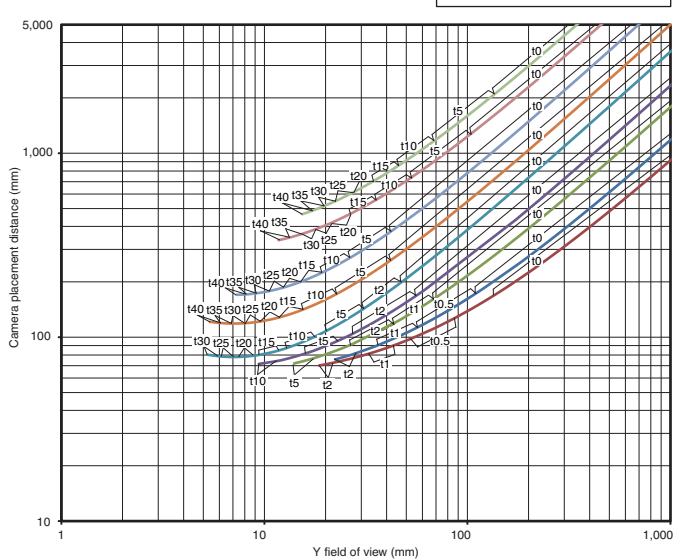
- | | |
|-----------|----------|
| SV-10028H | SV-1614H |
| SV-7525H | SV-1214H |
| SV-5014H | SV-0814H |
| SV-3514H | SV-0614H |
| SV-2514H | |



5 million pixels
Smart Cameras: FHV7X-□050
(for 3Z4S-LE SV-H series)



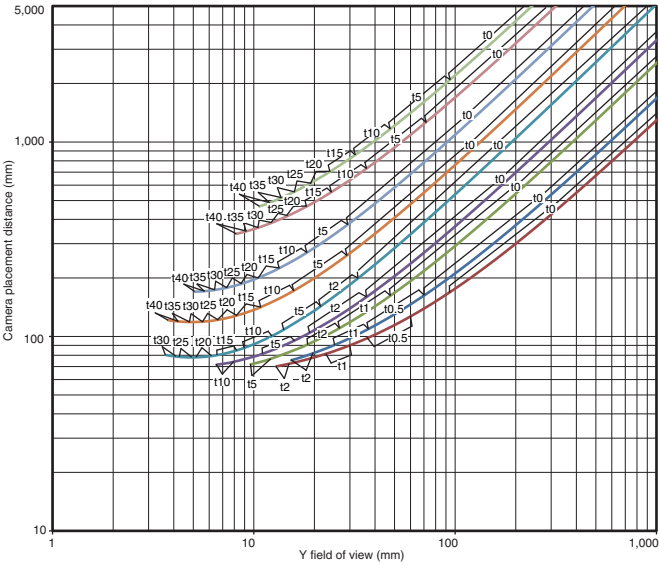
- | | |
|-----------|----------|
| SV-10028H | SV-1614H |
| SV-7525H | SV-1214H |
| SV-5014H | SV-0814H |
| SV-3514H | SV-0614H |
| SV-2514H | |



6.3 million pixels
Smart Cameras: FHV7X-□063R
 (for 3Z4S-LE SV-H series)



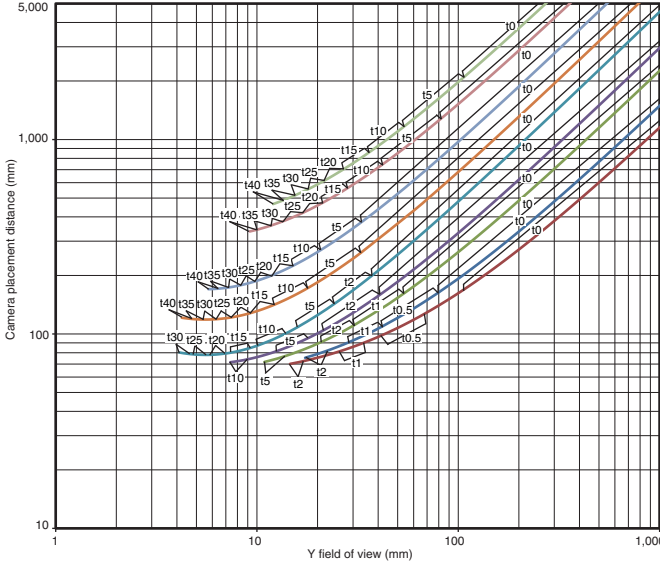
- SV-10028H
- SV-7525H
- SV-5014H
- SV-3514H
- SV-2514H
- SV-1614H
- SV-1214H
- SV-0814H
- SV-0614H



12 million pixels
Smart Cameras: FHV7X-□120R
 (for 3Z4S-LE SV-H series)



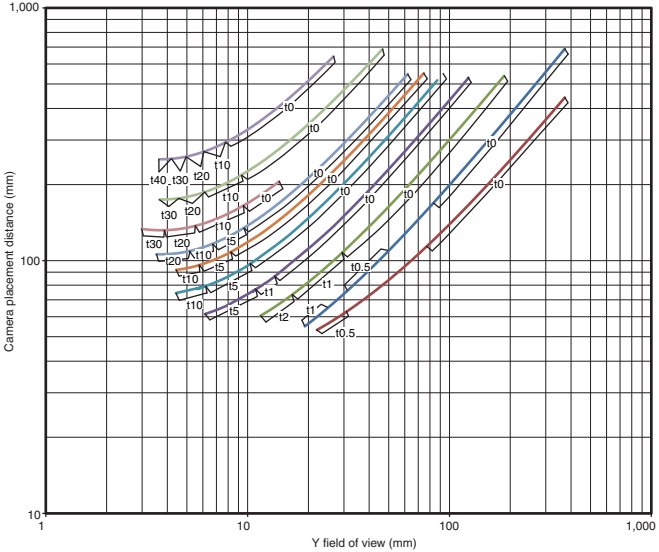
- SV-10028H
- SV-7525H
- SV-5014H
- SV-3514H
- SV-2514H
- SV-1614H
- SV-1214H
- SV-0814H
- SV-0614H



C Mount Lenses: Vibration/Shock-resistance Lens

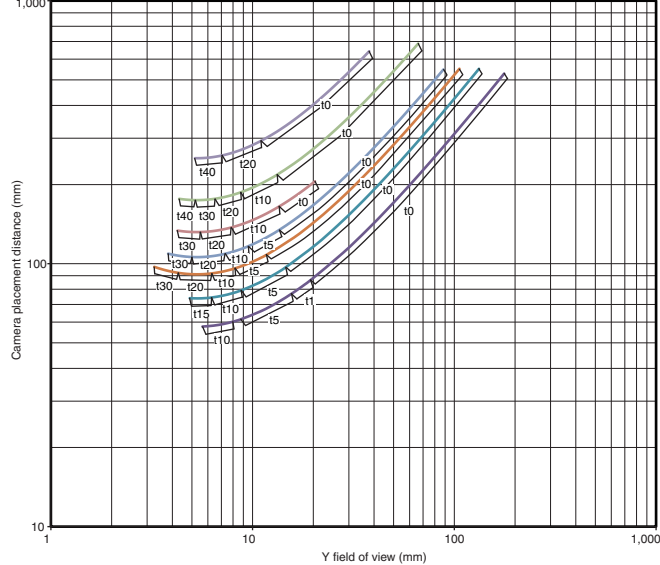
400,000 pixels
1.6 million pixels
Smart Cameras: FHV7X-□004, FHV7X-□016
 (for 3Z4S-LE VS-MCA series)

- VS-MCA75
- VS-MCA50
- VS-MCA35
- VS-MCA30
- VS-MCA25
- VS-MCA20
- VS-MCA15
- VS-MCA10
- VS-MCA6.5
- VS-MCA4



3.2 million pixels
Smart Cameras: FHV7X-□032
 (for 3Z4S-LE VS-MCA series)

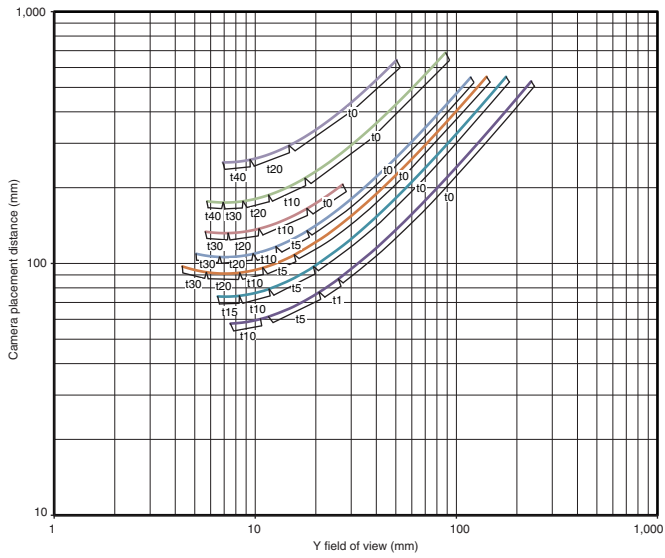
- VS-MCA75
- VS-MCA50
- VS-MCA35
- VS-MCA30
- VS-MCA25
- VS-MCA20
- VS-MCA15



FHV7 Series

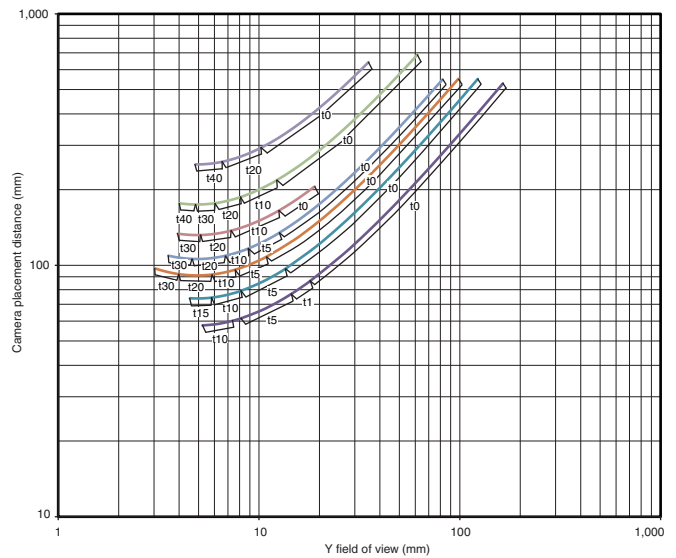
5 million pixels Smart Cameras: FHV7X-□050 (for 3Z4S-LE VS-MCA series)

- VS-MCA75
- VS-MCA50
- VS-MCA35
- VS-MCA30
- VS-MCA25
- VS-MCA20
- VS-MCA15



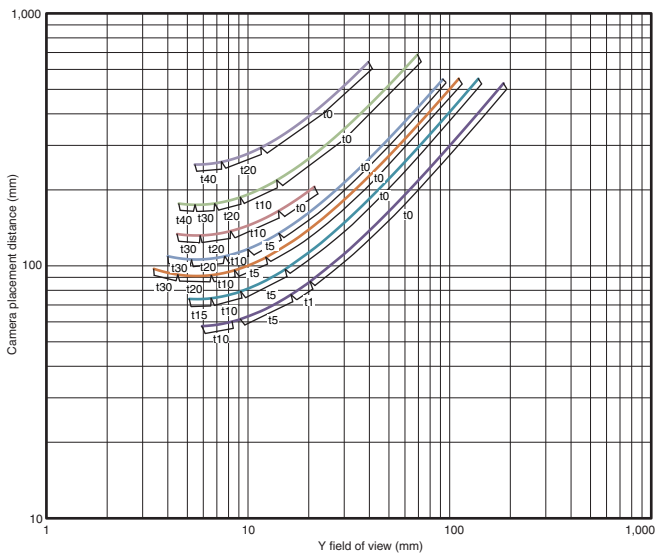
6.3 million pixels Smart Cameras: FHV7X-□063R (for 3Z4S-LE VS-MCA series)

- VS-MCA75
- VS-MCA50
- VS-MCA35
- VS-MCA30
- VS-MCA25
- VS-MCA20
- VS-MCA15



12 million pixels Smart Cameras: FHV7X-□120R (for 3Z4S-LE VS-MCA series)

- VS-MCA75
- VS-MCA50
- VS-MCA35
- VS-MCA30
- VS-MCA25
- VS-MCA20
- VS-MCA15



Related Manuals/Catalog

Cat. No.	Series	Manual
Z365	FH/FHV7	Vision System FH/FHV Series User's Manual
Z341	FH/FHV7	Vision System FH/FHV Series Processing Item Function Reference Manual
Z342	FH/FHV7	Vision System FH/FHV Series User's Manual for Communications Settings
Z408	FHV7	Smart Camera FHV Series Setup Manual
Q198	FLV/FL	FLV/FL Vision Accessory CATALOG

- Sysmac is a trademark or registered trademark of OMRON Corporation in Japan and other countries for OMRON factory automation products.
- Think&See is a trademark or registered trademark of OMRON Corporation in Japan and other countries.
- EtherNet/IP® is a trademark of ODVA.
- EtherCAT® is a registered trademark and patented technology, licensed by Beckhoff Automation GmbH, Germany.
- QR code is the registered trademark of DENSO WAVE.
- The SD, SDHC, microSD, and microSDHC logos are trademarks of SD-3C, LLC.
- Other company names and product names in this document are the trademarks or registered trademarks of their respective companies.
- The product photographs and figures that are used in this catalog may vary somewhat from the actual products.
- Microsoft product screen shot(s) reprinted with permission from Microsoft Corporation.
- The permission of Shutterstock.com was received for images that were used.

Terms and Conditions Agreement

Read and understand this catalog.

Please read and understand this catalog before purchasing the products. Please consult your OMRON representative if you have any questions or comments.

Warranties.

- (a) Exclusive Warranty. Omron's exclusive warranty is that the Products will be free from defects in materials and workmanship for a period of twelve months from the date of sale by Omron (or such other period expressed in writing by Omron). Omron disclaims all other warranties, express or implied.
- (b) Limitations. OMRON MAKES NO WARRANTY OR REPRESENTATION, EXPRESS OR IMPLIED, ABOUT NON-INFRINGEMENT, MERCHANTABILITY OR FITNESS FOR A PARTICULAR PURPOSE OF THE PRODUCTS. BUYER ACKNOWLEDGES THAT IT ALONE HAS DETERMINED THAT THE PRODUCTS WILL SUITABLY MEET THE REQUIREMENTS OF THEIR INTENDED USE.

Omron further disclaims all warranties and responsibility of any type for claims or expenses based on infringement by the Products or otherwise of any intellectual property right. (c) Buyer Remedy. Omron's sole obligation hereunder shall be, at Omron's election, to (i) replace (in the form originally shipped with Buyer responsible for labor charges for removal or replacement thereof) the non-complying Product, (ii) repair the non-complying Product, or (iii) repay or credit Buyer an amount equal to the purchase price of the non-complying Product; provided that in no event shall Omron be responsible for warranty, repair, indemnity or any other claims or expenses regarding the Products unless Omron's analysis confirms that the Products were properly handled, stored, installed and maintained and not subject to contamination, abuse, misuse or inappropriate modification. Return of any Products by Buyer must be approved in writing by Omron before shipment. Omron Companies shall not be liable for the suitability or unsuitability or the results from the use of Products in combination with any electrical or electronic components, circuits, system assemblies or any other materials or substances or environments. Any advice, recommendations or information given orally or in writing, are not to be construed as an amendment or addition to the above warranty.

See <http://www.omron.com/global/> or contact your Omron representative for published information.

Limitation on Liability: Etc.

OMRON COMPANIES SHALL NOT BE LIABLE FOR SPECIAL, INDIRECT, INCIDENTAL, OR CONSEQUENTIAL DAMAGES, LOSS OF PROFITS OR PRODUCTION OR COMMERCIAL LOSS IN ANY WAY CONNECTED WITH THE PRODUCTS, WHETHER SUCH CLAIM IS BASED IN CONTRACT, WARRANTY, NEGLIGENCE OR STRICT LIABILITY.

Further, in no event shall liability of Omron Companies exceed the individual price of the Product on which liability is asserted.

Suitability of Use.

Omron Companies shall not be responsible for conformity with any standards, codes or regulations which apply to the combination of the Product in the Buyer's application or use of the Product. At Buyer's request, Omron will provide applicable third party certification documents identifying ratings and limitations of use which apply to the Product. This information by itself is not sufficient for a complete determination of the suitability of the Product in combination with the end product, machine, system, or other application or use. Buyer shall be solely responsible for determining appropriateness of the particular Product with respect to Buyer's application, product or system. Buyer shall take application responsibility in all cases.

NEVER USE THE PRODUCT FOR AN APPLICATION INVOLVING SERIOUS RISK TO LIFE OR PROPERTY OR IN LARGE QUANTITIES WITHOUT ENSURING THAT THE SYSTEM AS A WHOLE HAS BEEN DESIGNED TO ADDRESS THE RISKS, AND THAT THE OMRON PRODUCT(S) IS PROPERLY RATED AND INSTALLED FOR THE INTENDED USE WITHIN THE OVERALL EQUIPMENT OR SYSTEM.

Programmable Products.

Omron Companies shall not be responsible for the user's programming of a programmable Product, or any consequence thereof.

Performance Data.

Data presented in Omron Company websites, catalogs and other materials is provided as a guide for the user in determining suitability and does not constitute a warranty. It may represent the result of Omron's test conditions, and the user must correlate it to actual application requirements. Actual performance is subject to the Omron's Warranty and Limitations of Liability.

Change in Specifications.

Product specifications and accessories may be changed at any time based on improvements and other reasons. It is our practice to change part numbers when published ratings or features are changed, or when significant construction changes are made. However, some specifications of the Product may be changed without any notice. When in doubt, special part numbers may be assigned to fix or establish key specifications for your application. Please consult with your Omron's representative at any time to confirm actual specifications of purchased Product.

Errors and Omissions.

Information presented by Omron Companies has been checked and is believed to be accurate; however, no responsibility is assumed for clerical, typographical or proofreading errors or omissions.

Note: Do not use this document to operate the Unit.

OMRON Corporation Industrial Automation Company

Kyoto, JAPAN

Contact : www.ia.omron.com

Regional Headquarters

OMRON EUROPE B.V.

Wegalaan 67-69, 2132 JD Hoofddorp
The Netherlands
Tel: (31) 2356-81-300 Fax: (31) 2356-81-388

OMRON ELECTRONICS LLC

2895 Greenspoint Parkway, Suite 200
Hoffman Estates, IL 60169 U.S.A.
Tel: (1) 847-843-7900 Fax: (1) 847-843-7787

OMRON ASIA PACIFIC PTE. LTD.

438B Alexandra Road, #08-01/02 Alexandra
Technopark, Singapore 119968
Tel: (65) 6835-3011 Fax: (65) 6835-3011

OMRON (CHINA) CO., LTD.

Room 2211, Bank of China Tower,
200 Yin Cheng Zhong Road,
PuDong New Area, Shanghai, 200120, China
Tel: (86) 21-6023-0333 Fax: (86) 21-5037-2388

Authorized Distributor:

©OMRON Corporation 2018-2024 All Rights Reserved.
In the interest of product improvement,
specifications are subject to change without notice.

CSM_9_1

Cat. No. Q265-E1-18 1124 (1118)